



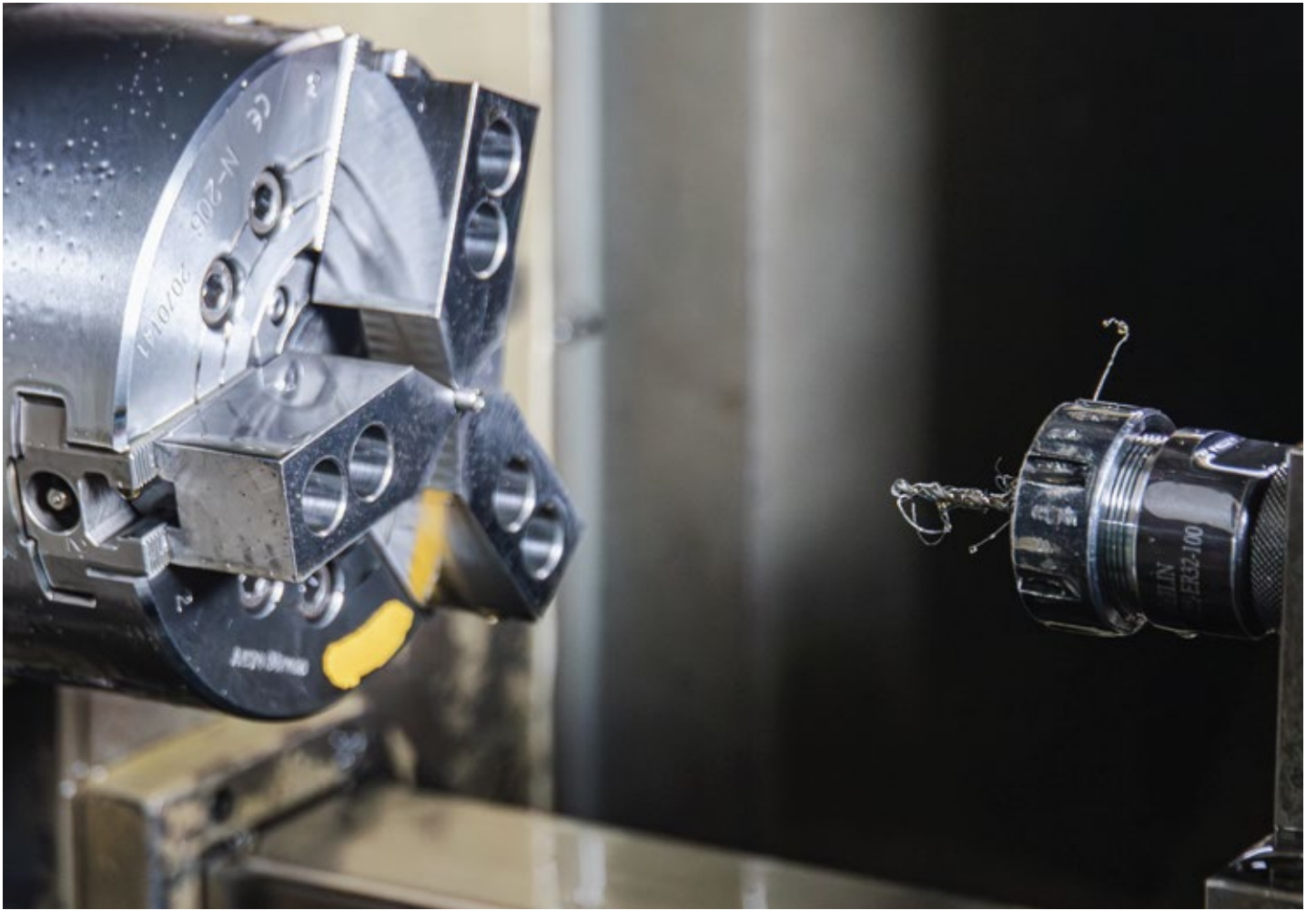
MOONLER











Moonler Manufacturing Co., Ltd. is a leading manufacturer and distributor of stainless steel bathroom accessories both domestically and internationally. With over 30 years of experience and expertise, our professional team ensures quality and innovation in every product.

In addition to our expertise in stainless steel manufacturing, we are dedicated to providing comprehensive services for custom-made products. Our services encompass all stages from analysis and design to production and final quality inspection.

Our services also include cutting, bending, CNC turning, drilling, stamping, laser cutting, laser welding, assembly welding, polishing, and hairline finishing, all with the highest precision and efficiency.

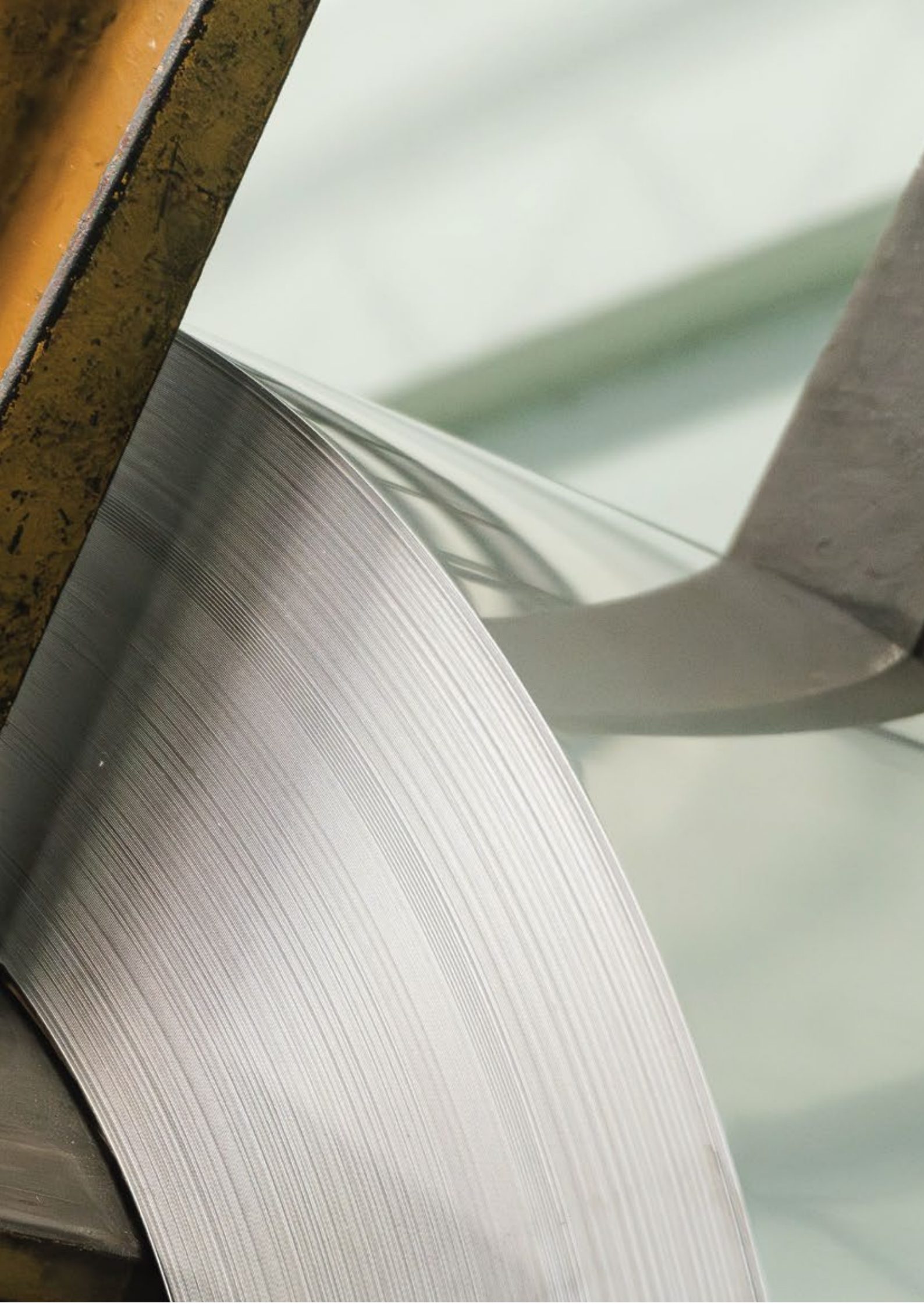


With ISO 9001 standards, we ensure that every step of our production process is strictly quality controlled, ensuring the highest quality of each product and perfectly meeting customer needs. Additionally, we continuously develop our products and improve our production systems to stay up-to-date and meet international standards. We also ensure timely and reliable delivery of our products.







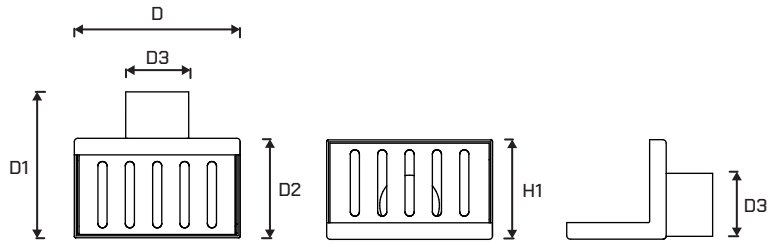




# FLOOR DRAIN

## 1L60x60P1.5MN

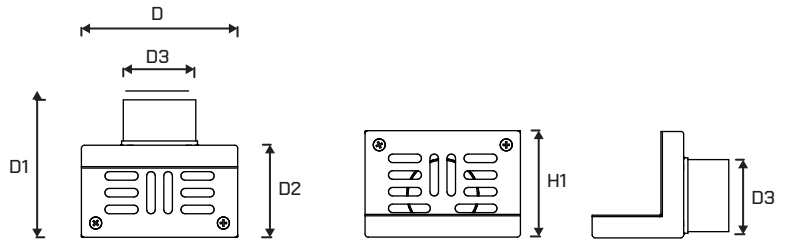
Side Floor Drain 60x60 mm. With connected pipe, Outlet 1-1/2"



| MODEL         | DIMENSIONS (MM.) |    |    |    |    |
|---------------|------------------|----|----|----|----|
|               | D                | D1 | D2 | D3 | H1 |
| 1L60X60P1.5MN | 100              | 88 | 60 | 38 | 60 |

## 1L65x75P2-8MN

Side Floor Drain 65x75 mm. With connected pipe, Outlet 2"

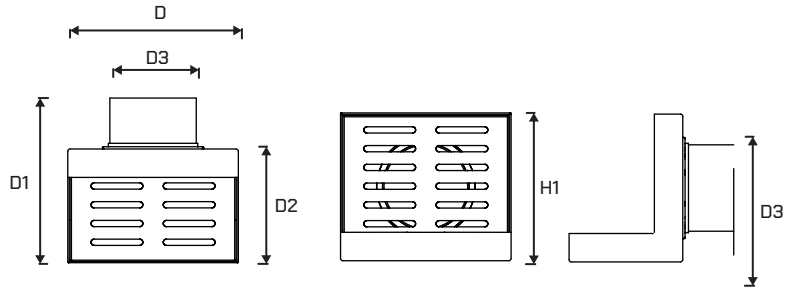


| MODEL        | DIMENSIONS (MM.) |      |      |      |    |
|--------------|------------------|------|------|------|----|
|              | D                | D1   | D2   | D3   | H1 |
| 1L65X75PW2-8 | 109.5            | 96.3 | 64.5 | 50.8 | 75 |

# FLOOR DRAIN

## 1L100x130P3L-MNN

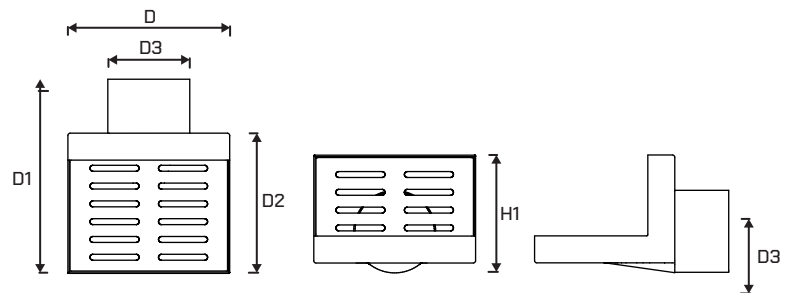
Side Floor Drain 100x130mm. With connected pipe, Outlet 3"



| MODEL            | DIMENSIONS (MM.) |       |     |    |     |
|------------------|------------------|-------|-----|----|-----|
|                  | D                | D1    | D2  | D3 | H1  |
| 1L100x130P3L-MNN | 150              | 144.8 | 100 | 76 | 130 |

## 1L100x130P3-MN

Side Floor Drain 100x130mm. With connected pipe, Outlet 3"



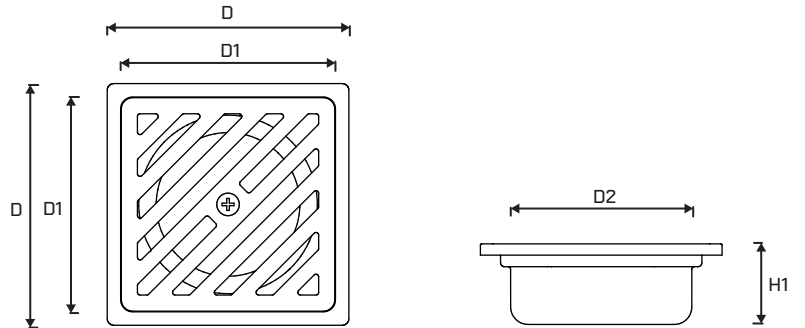
| MODEL           | DIMENSIONS (MM.) |       |     |    |     |
|-----------------|------------------|-------|-----|----|-----|
|                 | D                | D1    | D2  | D3 | H1  |
| 1L100x130P3-MNN | 150              | 144.8 | 100 | 76 | 130 |

# Floor Drain



## 1S09-C

Square Anti-odour Floor Drain 9x9 cm. With Outlet 1-1/2"



| MODEL  | DIMENSIONS (MM.) |    |      |    |    |
|--------|------------------|----|------|----|----|
|        | D                | D1 | D2   | D3 | H1 |
| 1S09-C | 90               | 80 | 67.5 | -  | 30 |



## 1S09PW-C

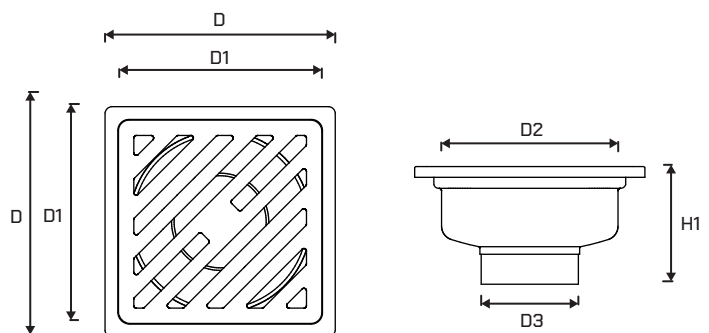
Square Floor Drain 9x9 cm. With connected pipe, Outlet 1-1/2"

## 1S10PW-C

Square Floor Drain 9x9 cm. With connected pipe, Outlet 2"

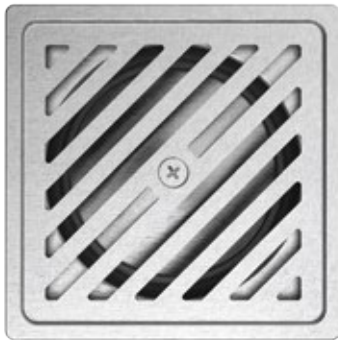
## 1S12PW-C

Square Floor Drain 9x9 cm. With connected pipe, Outlet 2-1/2"



| MODEL    | DIMENSIONS (MM.) |     |    |      |      |
|----------|------------------|-----|----|------|------|
|          | D                | D1  | D2 | D3   | H1   |
| 1S09PW-C | 90               | 80  | 67 | 38   | 46   |
| 1S10PW-C | 100              | 90  | 79 | 50.8 | 51.5 |
| 1S12PW-C | 120              | 110 | 99 | 63.5 | 61.5 |

# Floor Drain



## 1S09PX-C

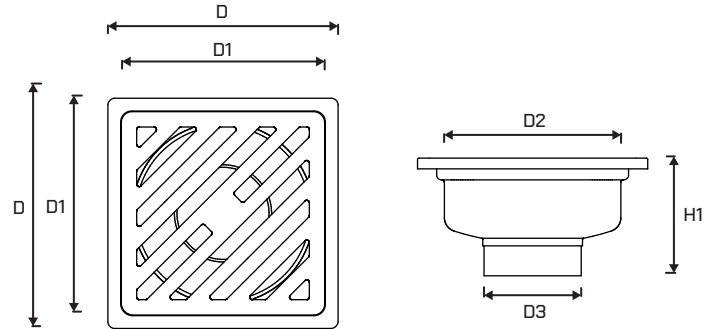
Square Anti-odour Floor Drain 9x9 cm. With connected pipe, Outlet 1-1/2"

## 1S10PX-C

Square Anti-odour Floor Drain 10x10 cm. With connected pipe, Outlet 2"

## 1S12PX-C

Square Anti-odour Floor Drain 12x12 cm. With connected pipe, Outlet 2-1/2"

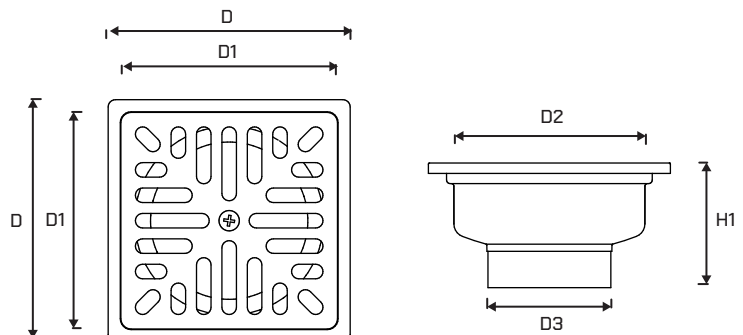


| MODEL    | DIMENSIONS (MM.) |     |    |      |      |
|----------|------------------|-----|----|------|------|
|          | D                | D1  | D2 | D3   | H1   |
| 1S09PX-C | 90               | 80  | 69 | 38   | 46   |
| 1S10PX-C | 100              | 90  | 79 | 50.8 | 51.5 |
| 1S12PX-C | 120              | 110 | 99 | 63.5 | 61.5 |



## 1S10PX-M

Square Anti-odour Floor Drain 10x10 cm. With connected pipe, Outlet 2"

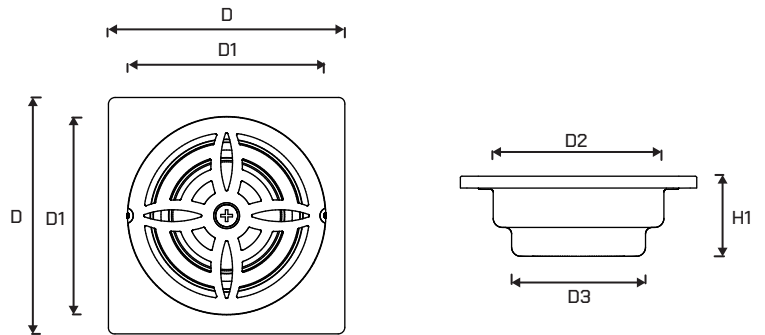


| MODEL    | DIMENSIONS (MM.) |    |    |      |      |
|----------|------------------|----|----|------|------|
|          | D                | D1 | D2 | D3   | H1   |
| 1S10PX-M | 100              | 90 | 79 | 50.8 | 51.5 |

# Floor Drain

## 2S09-65-A

Square Anti-odour Floor Drain 9x9 cm. With Outlet 1-1/2"



| MODEL     | DIMENSIONS (MM.) |     |    |      |    |
|-----------|------------------|-----|----|------|----|
|           | D                | D1  | D2 | D3   | H1 |
| 2S09-65-A | 120              | 110 | 99 | 75.5 | 47 |

## 2S09PX-A

Square Anti-odour Floor Drain 9x9 cm. With connected pipe, Outlet 1-1/2"

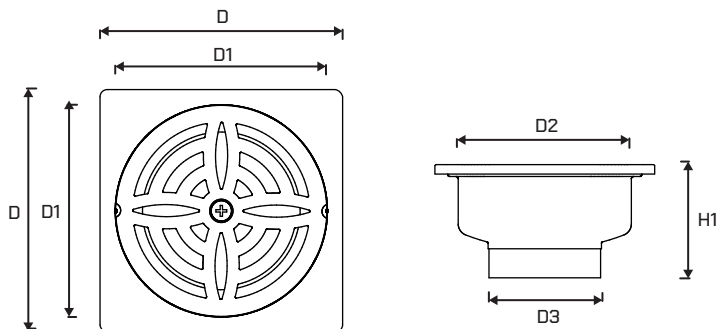


## 2S10PX-A

Square Anti-odour Floor Drain 10x10 cm. With connected pipe, Outlet 2"

## 2S12PX-A

Square Anti-odour Floor Drain 12x12 cm. With connected pipe, Outlet 2-1/2"

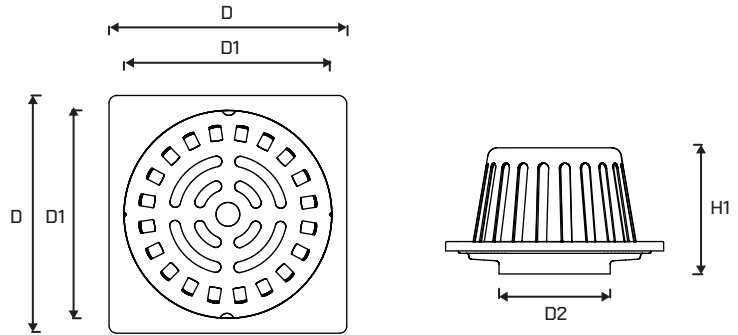
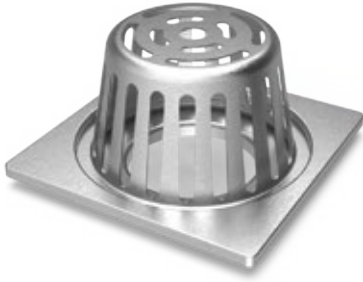


| MODEL    | DIMENSIONS (MM.) |       |      |      |      |
|----------|------------------|-------|------|------|------|
|          | D                | D1    | D2   | D3   | H1   |
| 2S09PX-A | 90               | 75.5  | 68.8 | 38   | 46   |
| 2S10PX-A | 100              | 87.5  | 78.8 | 51   | 51.5 |
| 2S12PX-A | 120              | 106.5 | 98.8 | 63.5 | 61.5 |

# Floor Drain

## 2S10PP2-G

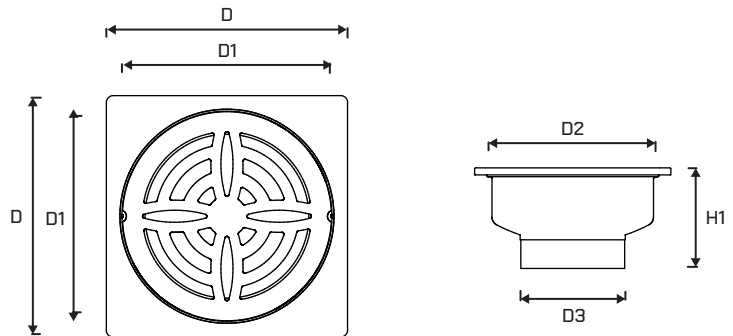
Roof Floor Drain 10x10 cm. With Outlet 2"



| MODEL     | DIMENSIONS (MM.) |      |    |    |      |
|-----------|------------------|------|----|----|------|
|           | D                | D1   | D2 | D3 | H1   |
| 2S10PP2-G | 100              | 87.5 | 51 | -  | 57.8 |

## 2S10PW-A

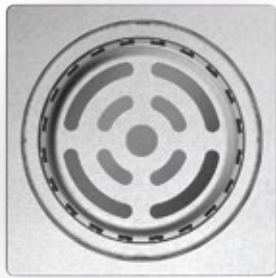
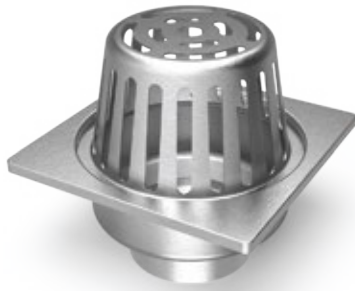
Square Floor Drain 10x10 cm. With connected pipe, Outlet 2"



| MODEL     | DIMENSIONS (MM.) |      |      |      |      |
|-----------|------------------|------|------|------|------|
|           | D                | D1   | D2   | D3   | H1   |
| 2S09-65-A | 100              | 87.5 | 77.6 | 50.8 | 51.5 |

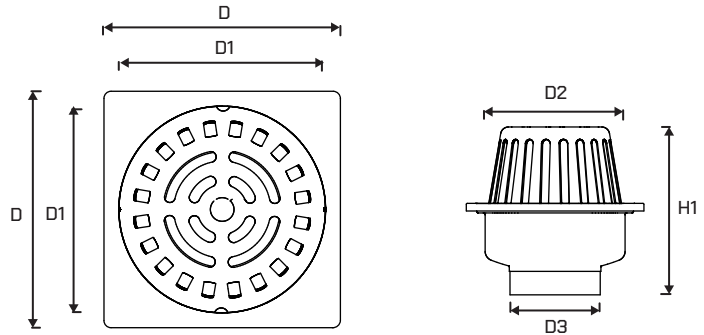


# Floor Drain



## 2S10PW-G

Roof Floor Drain 10x10 cm. With connected pipe, Outlet 2"

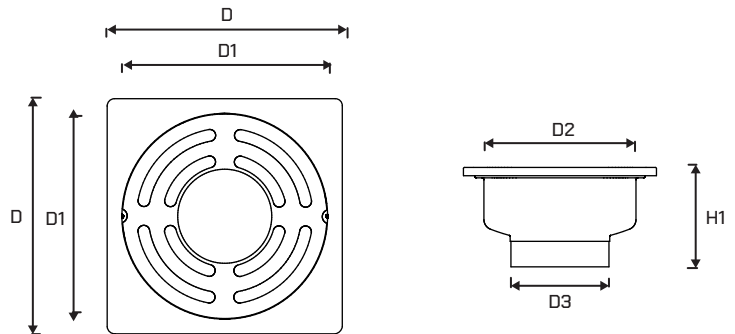


| MODEL    | DIMENSIONS (MM.) |      |      |    |      |
|----------|------------------|------|------|----|------|
|          | D                | D1   | D2   | D3 | H1   |
| 2S10PW-G | 100              | 87.5 | 78.8 | 51 | 94.5 |



## 2S10PX-L1

Square Anti-odour Floor Drain 10x10 cm. With connected pipe, Outlet 2"

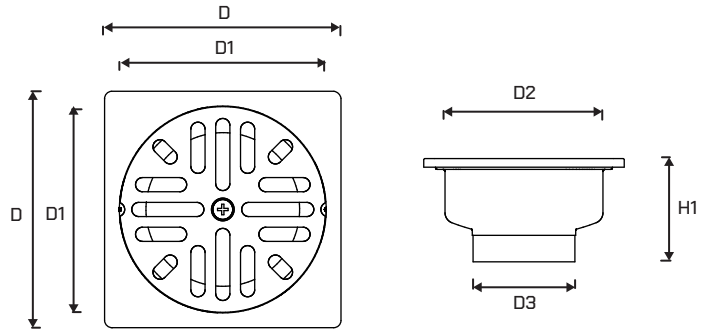


| MODEL     | DIMENSIONS (MM.) |      |      |    |      |
|-----------|------------------|------|------|----|------|
|           | D                | D1   | D2   | D3 | H1   |
| 2S10PX-L1 | 100              | 87.5 | 78.8 | 51 | 51.5 |

# Floor Drain

## 2S10PX-M

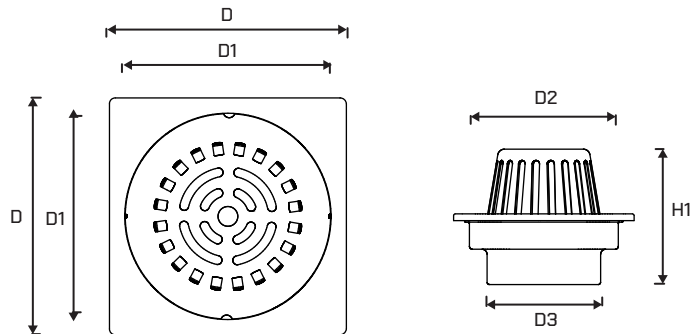
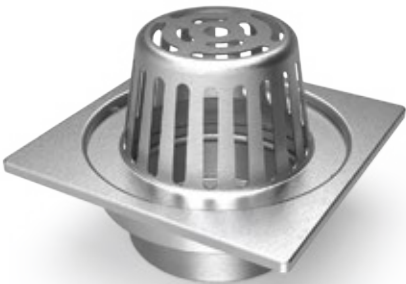
Square Anti-odour Floor Drain 10x10 cm. With connected pipe, Outlet 2"



| MODEL    | DIMENSIONS (MM.) |      |      |    |      |
|----------|------------------|------|------|----|------|
|          | D                | D1   | D2   | D3 | H1   |
| 2S10PX-M | 100              | 87.5 | 78.8 | 51 | 51.5 |

## 2S12PPW-G

Roof Floor Drain 12x12 cm. With connected pipe, Outlet 3"

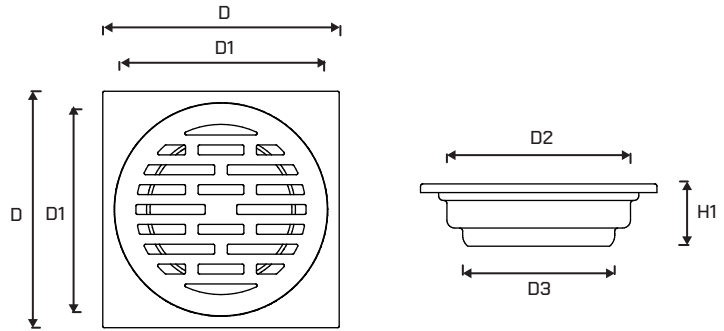


| MODEL     | DIMENSIONS (MM.) |       |    |      |    |
|-----------|------------------|-------|----|------|----|
|           | D                | D1    | D2 | D3   | H1 |
| 2S12PPW-G | 120              | 104.5 | 99 | 75.5 | 90 |

# Floor Drain

## 2S15PPW-E

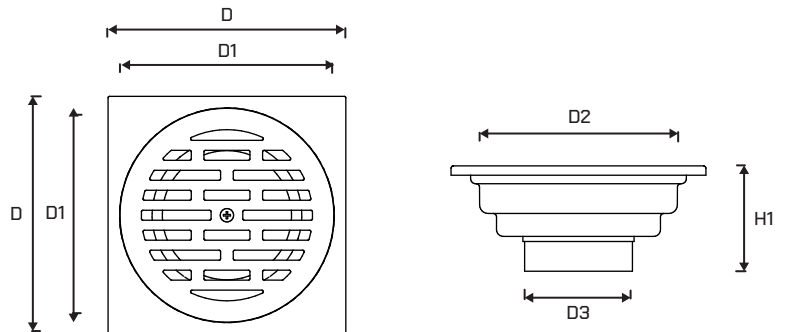
Square Floor Drain 15x15 cm. With Outlet 4-5"



| MODEL     | DIMENSIONS (MM.) |       |       |      |      |
|-----------|------------------|-------|-------|------|------|
|           | D                | D1    | D2    | D3   | H1   |
| 2S15PPW-E | 150              | 135.5 | 116.5 | 96.5 | 39.5 |

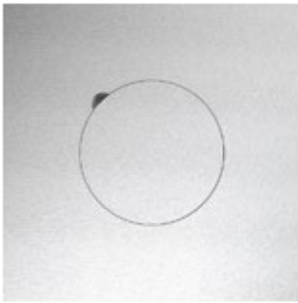
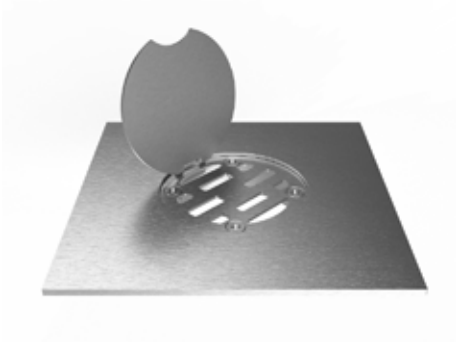
## 2S15PX-E

Square Anti-odour Floor Drain 15X15 cm. With connected pipe, Outlet 2-1/2"



| MODEL    | DIMENSIONS (MM.) |       |       |      |    |
|----------|------------------|-------|-------|------|----|
|          | D                | D1    | D2    | D3   | H1 |
| 2S15PX-E | 150              | 135.5 | 116.5 | 63.5 | 62 |

# Floor Drain

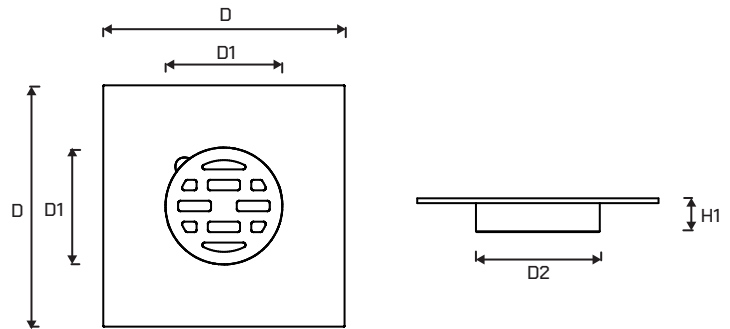


## 8S150P3-E

Square Floor Drain 15x15 cm. With Outlet 3"

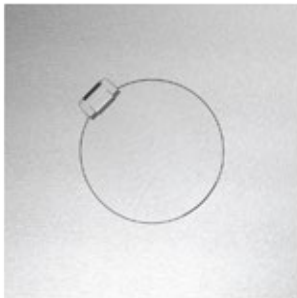
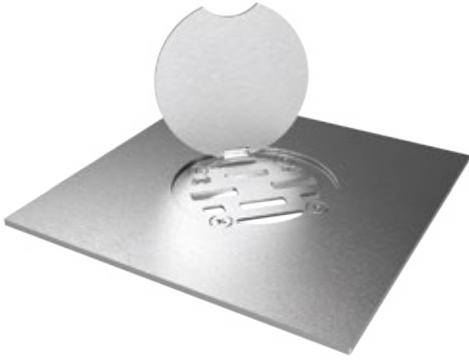
## 8S150P4-E

Square Floor Drain 15x15 cm. With Outlet 4"



| MODEL     | DIMENSIONS (MM.) |      |     |    |    |
|-----------|------------------|------|-----|----|----|
|           | D                | D1   | D2  | D3 | H1 |
| 8S150P3-E | 150              | 72.5 | 78  | -  | 21 |
| 8S150P4-E | 150              | 95   | 100 | -  | 21 |

# Floor Drain

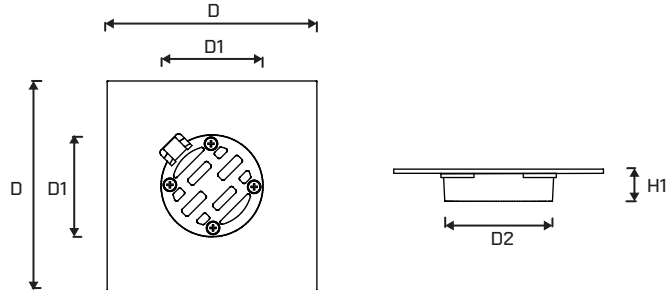


## 8SC150P3-E

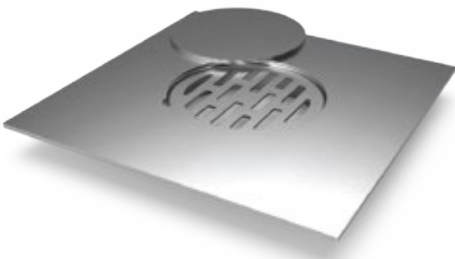
Flip Square Floor Drain 15x15 cm. With Outlet 3"

## 8SC150P4-E

Flip Square Floor Drain 15x15 cm. With Outlet 4"



| MODEL      | DIMENSIONS (MM.) |    |     |    |    |
|------------|------------------|----|-----|----|----|
|            | D                | D1 | D2  | D3 | H1 |
| 8SC150P3-E | 150              | 73 | 77  | -  | 23 |
| 8SC150P4-E | 150              | 96 | 100 | -  | 21 |



## 8S200P3-E

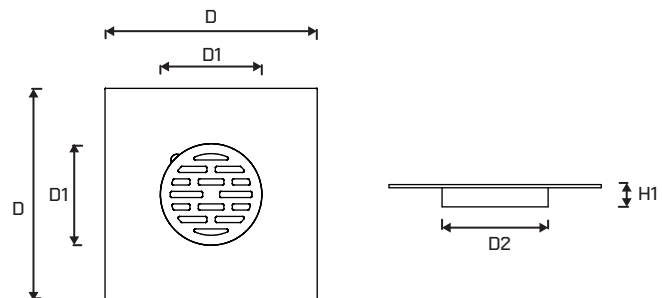
Square Floor Drain 20x20 cm. With Outlet 3"

## 8S200P4-E

Square Floor Drain 20x20 cm. With Outlet 4"

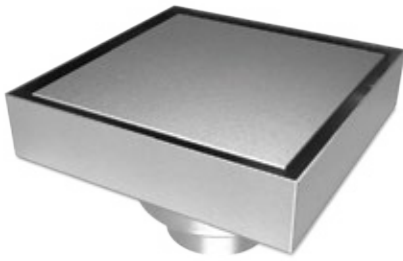
## 8S200P6-E

Square Floor Drain 20x20 cm. With Outlet 6"



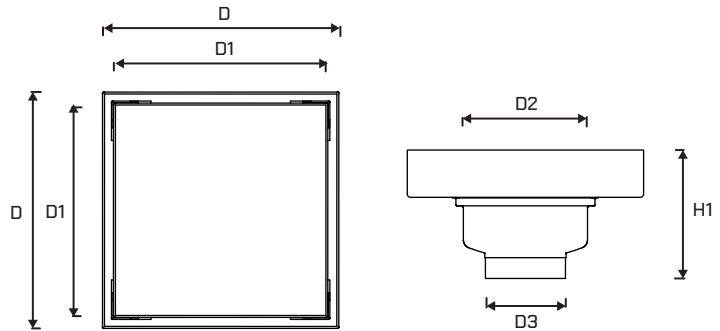
| MODEL     | DIMENSIONS (MM.) |       |     |    |    |
|-----------|------------------|-------|-----|----|----|
|           | D                | D1    | D2  | D3 | H1 |
| 8S200P3-E | 200              | 72    | 77  | -  | 21 |
| 8S200P4-E | 200              | 95.5  | 100 | -  | 21 |
| 8S200P6-E | 200              | 141.5 | 146 | -  | 34 |

# Floor Drain



## 225No-A(20)5x5P2

Square Floor Drain 5" x 5" Opaque type

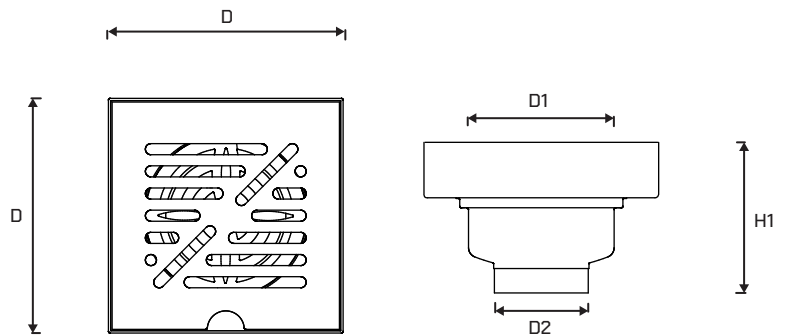


| MODEL            | DIMENSIONS (MM.) |       |      |      |      |
|------------------|------------------|-------|------|------|------|
|                  | D                | D1    | D2   | D3   | H1   |
| 225No-A(20)5x5P2 | 127              | 112.5 | 78.8 | 50.8 | 81.5 |



## 225P-A 5x5P2

Square Anti-odour Floor Drain 5" x 5"

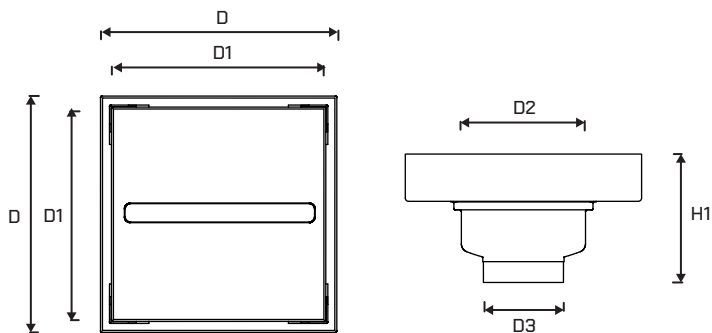
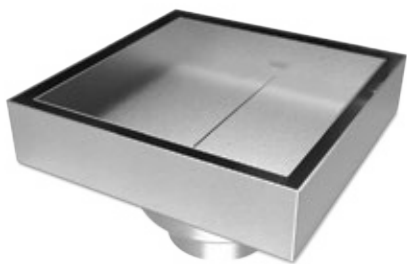


| MODEL        | DIMENSIONS (MM.) |      |      |    |      |
|--------------|------------------|------|------|----|------|
|              | D                | D1   | D2   | D3 | H1   |
| 225P-A 5x5P2 | 127              | 78.8 | 50.8 | -  | 81.5 |

# Floor Drain

## 225Ti(20)5x5P2

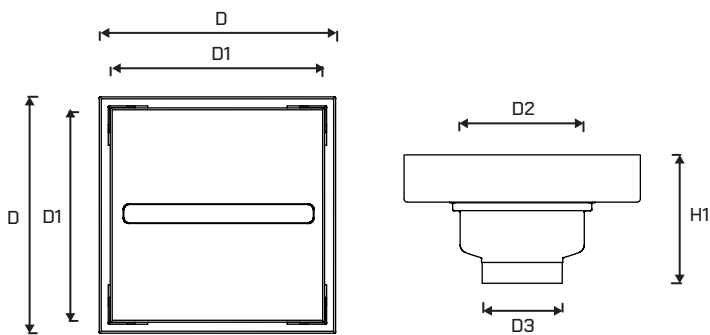
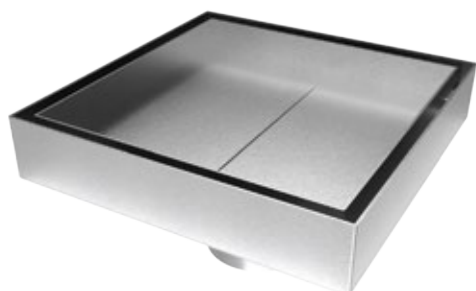
Square Anti-odour Tile Floor Drain 5"x5" Outlet 2"



| MODEL          | DIMENSIONS (MM.) |       |      |      |      |
|----------------|------------------|-------|------|------|------|
|                | D                | D1    | D2   | D3   | H1   |
| 225Ti(20)5x5P2 | 127              | 112.5 | 78.8 | 50.8 | 81.5 |

## 225 tile 150x150 P2

Square Anti-odour Tile Floor Drain 6"x6" Outlet 2"



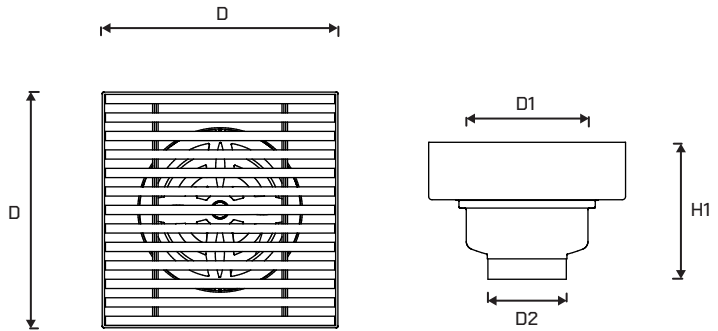
| MODEL                    | DIMENSIONS (MM.) |     |      |      |      |
|--------------------------|------------------|-----|------|------|------|
|                          | D                | D1  | D2   | D3   | H1   |
| 225 tile<br>150 x 150 P2 | 150              | 136 | 78.8 | 50.8 | 81.5 |

# Floor Drain

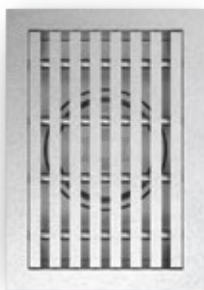


## 225TN5x5P2(MN)eb

Square Floor drain 5"x5" Outlet 2"

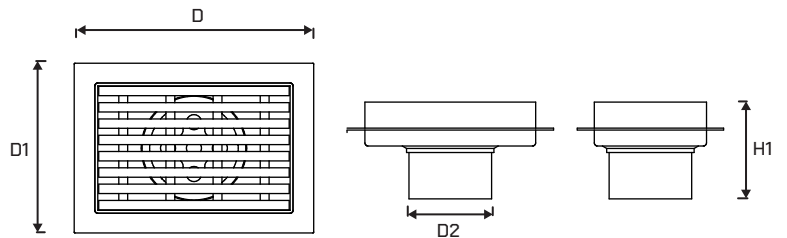


| MODEL            | DIMENSIONS (MM.) |      |      |    |      |
|------------------|------------------|------|------|----|------|
|                  | D                | D1   | D2   | D3 | H1   |
| 225TN5x5P2(MN)eb | 127.5            | 78.8 | 50.8 | -  | 88.7 |



## 225TN70x105

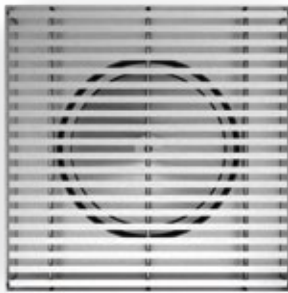
Channel Floor Drain 70x105 mm. With connected pipe, Outlet 2"



| MODEL       | DIMENSIONS (MM.) |    |      |    |      |
|-------------|------------------|----|------|----|------|
|             | D                | D1 | D2   | D3 | H1   |
| 225TN70x105 | 127              | 90 | 50.8 | -  | 59.5 |



# Floor Drain



## 225TN6x6P2(MN)

Square Floor drain 6"x6" Outlet 2"

## 225TN8x8P4(MN)

Square Floor drain 8"x8" Outlet 4"

## 225TN8x8P6(MN)

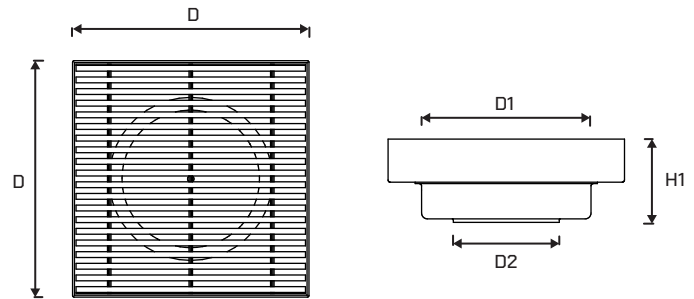
Square Floor drain 8"x8" Outlet 6"

## 225TN10x10P4(MN)

Square Floor drain 10"x10" Outlet 4"

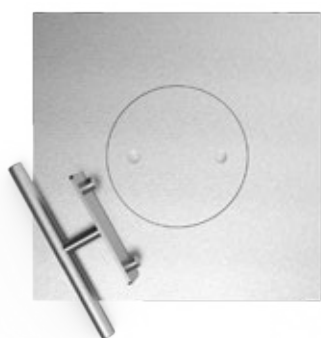
## 225TN10x10P6(MN)

Square Floor drain 10"x10" Outlet 6"



| MODEL            | DIMENSIONS (MM.) |       |      |    |      |
|------------------|------------------|-------|------|----|------|
|                  | D                | D1    | D2   | D3 | H1   |
| 225TN6x6P2(MN)   | 150              | 78.8  | 50.8 | -  | 88.7 |
| 225TN8x8P4(MN)   | 203              | 146   | 89   | -  | 85.5 |
| 225TN8x8P6(MN)   | 203              | 145.5 | 91   | -  | 71.5 |
| 225TN10x10P4(MN) | 254              | 145.5 | 89   | -  | 85.5 |
| 225TN10x10P6(MN) | 254              | 145.5 | 91   | -  | 71.5 |

# Floor Cleanout

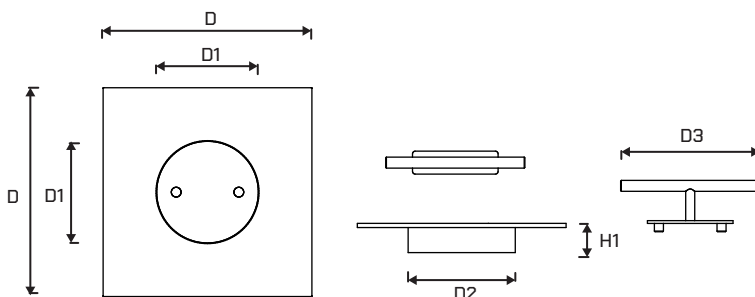


## 9S150P3

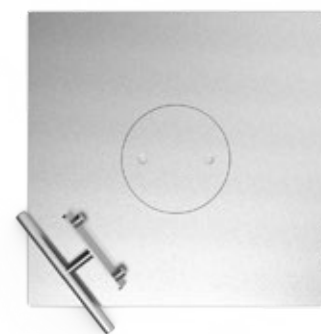
Floor Cleanout 15x15 cm. With Outlet 3"

## 9S150P4

Floor Cleanout 15x15 cm. With Outlet 4"



| MODEL   | DIMENSIONS (MM.) |    |     |     |    |
|---------|------------------|----|-----|-----|----|
|         | D                | D1 | D2  | D3  | H1 |
| 9S150P3 | 150              | 74 | 77  | 100 | 21 |
| 9S150P4 | 150              | 97 | 100 | 100 | 21 |



## 9S200P3

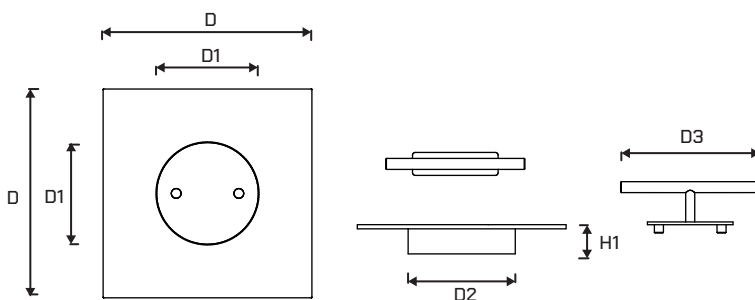
Floor Cleanout 20x20 cm. With Outlet 3"

## 9S200P4

Floor Cleanout 20x20 cm. With Outlet 4"

## 9S200P6

Floor Cleanout 20x20 cm. With Outlet 6"

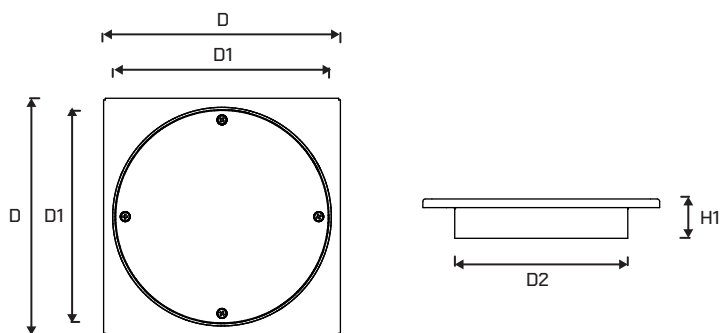
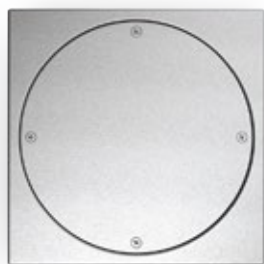


| MODEL   | DIMENSIONS (MM.) |     |     |     |    |
|---------|------------------|-----|-----|-----|----|
|         | D                | D1  | D2  | D3  | H1 |
| 9S200P3 | 200              | 74  | 77  | 100 | 21 |
| 9S200P4 | 200              | 97  | 100 | 100 | 21 |
| 9S200P6 | 200              | 138 | 146 | 100 | 34 |

# Floor Cleanout

## 7S15P11

Floor Cleanout 15x15 cm. With Outlet 5"



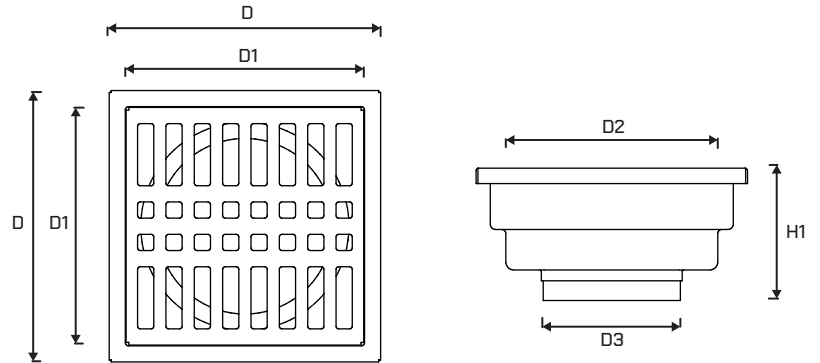
| MODEL   | DIMENSIONS (MM.) |     |     |    |    |
|---------|------------------|-----|-----|----|----|
|         | D                | D1  | D2  | D3 | H1 |
| 7S15P11 | 150.5            | 139 | 110 | -  | 25 |



# Channel Floordrain

## 3R10PX-D

Square Anti-odour Floor Drain 10X10 cm. With connected pipe, Outlet 2"



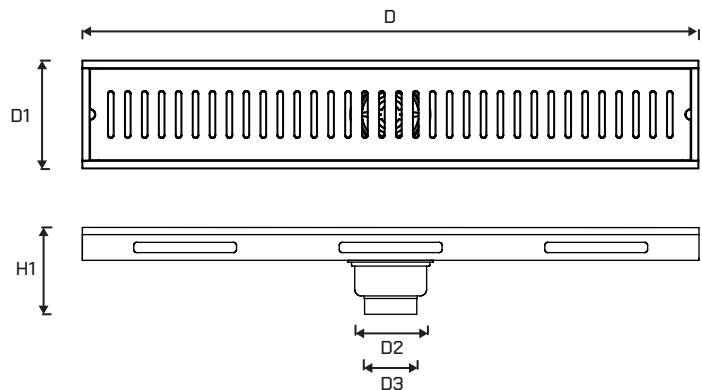
| MODEL    | DIMENSIONS (MM.) |      |      |    |      |
|----------|------------------|------|------|----|------|
|          | D                | D1   | D2   | D3 | H1   |
| 3R10PX-D | 100.5            | 88.6 | 78.5 | 49 | 50.8 |

## 3R1 36PX-A-MN

Anti-odour Channel Floor Drain 10x36 inch With connected pipe, Center Outlet 2"

## 3R1 60PX-A-MN

Anti-odour Channel Floor Drain 10x60 inch With connected pipe, Center Outlet 2"



| MODEL         | DIMENSIONS (MM.) |     |    |      |      |
|---------------|------------------|-----|----|------|------|
|               | D                | D1  | D2 | D3   | H1   |
| 3R1 36PX-A-MN | 914.5            | 105 | 70 | 50.8 | 84.5 |
| 3R1 60PX-A-MN | 600              | 105 | 70 | 50.8 | 84.5 |

# Channel Floordrain



## 3R20PX-A-D

Anti-odour Channel Floor Drain 10x20 cm. With connected pipe, Outlet 2"

## 3R30PX-A-D

Anti-odour Channel Floor Drain 10x30 cm. With connected pipe, Outlet 2"

## 3R40PX-A-D

Anti-odour Channel Floor Drain 10x40 cm. With connected pipe, Outlet 2"

## 3R60PX-A-D

Anti-odour Channel Floor Drain 10x60 cm. With connected pipe, Outlet 2"

## 3R80PX-A-D

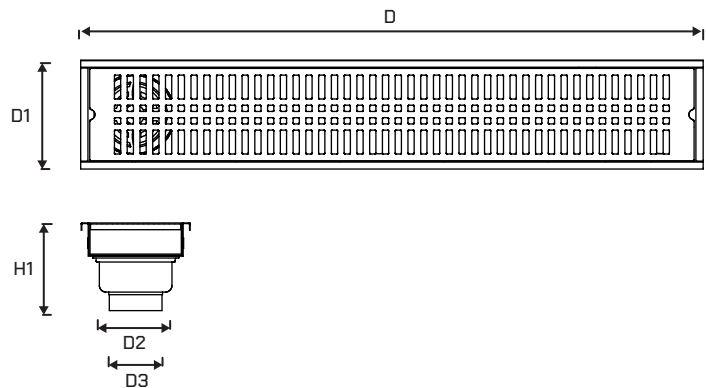
Anti-odour Channel Floor Drain 10x80 cm. With connected pipe, Outlet 2"

## 3R100PX-A-D

Anti-odour Channel Floor Drain 10x100 cm. With connected pipe, Outlet 2"

## 3R120PX-A-D

Anti-odour Channel Floor Drain 10x120 cm. With connected pipe, Outlet 2"



| MODEL       | DIMENSIONS (MM.) |     |    |      |      |
|-------------|------------------|-----|----|------|------|
|             | D                | D1  | D2 | D3   | H1   |
| 3R20PX-A-D  | 201              | 101 | 70 | 50.8 | 84.5 |
| 3R30PX-A-D  | 300              | 105 | 70 | 50.8 | 84.5 |
| 3R40PX-A-D  | 400              | 105 | 70 | 50.8 | 84.5 |
| 3R60PX-A-D  | 600              | 105 | 70 | 50.8 | 84.5 |
| 3R80PX-A-D  | 800              | 105 | 70 | 50.8 | 84.5 |
| 3R100PX-A-D | 1000             | 105 | 70 | 50.8 | 84.5 |
| 3R120PX-A-D | 1200             | 105 | 70 | 50.8 | 84.5 |

# Channel Floordrain



## 3R1 18PX-A-D

Anti-odour Channel Floor Drain 10x18 inch With connected pipe, Center Outlet 2"

## 3R1 36PX-A-D

Anti-odour Channel Floor Drain 10x36 inch With connected pipe, Center Outlet 2"

## 3R1 20PX-A-D

Anti-odour Channel Floor Drain 10x20 cm. With connected pipe, Center Outlet 2"

## 3R1 40PX-A-D

Anti-odour Channel Floor Drain 10x40 cm. With connected pipe, Center Outlet 2"

## 3R1 60PX-A-D

Anti-odour Channel Floor Drain 10x60 cm. With connected pipe, Center Outlet 2"

## 3R1 80PX-A-D

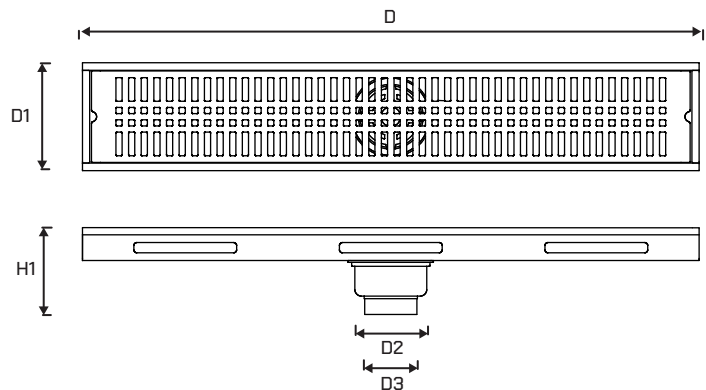
Anti-odour Channel Floor Drain 10x80 cm. With connected pipe, Center Outlet 2"

## 3R1 100PX-A-D

Anti-odour Channel Floor Drain 10x100 cm. With connected pipe, Center Outlet 2"

## 3R1 120PX-A-D

Anti-odour Channel Floor Drain 10x120 cm. With connected pipe, Center Outlet 2"



| MODEL         | DIMENSIONS (MM.) |     |    |      |      |
|---------------|------------------|-----|----|------|------|
|               | D                | D1  | D2 | D3   | H1   |
| 3R1 18PX-A-D  | 457              | 105 | 70 | 50.8 | 84.5 |
| 3R1 36PX-A-D  | 914.5            | 105 | 70 | 50.8 | 84.5 |
| 3R1 20PX-A-D  | 200              | 105 | 70 | 50.8 | 84.5 |
| 3R1 40PX-A-D  | 400              | 105 | 70 | 50.8 | 84.5 |
| 3R1 60PX-A-D  | 600              | 105 | 70 | 50.8 | 84.5 |
| 3R1 80PX-A-D  | 800              | 105 | 70 | 50.8 | 84.5 |
| 3R1 100PX-A-D | 1000             | 105 | 70 | 50.8 | 84.5 |
| 3R1 120PX-A-D | 1200             | 105 | 70 | 50.8 | 84.5 |

# Channel Floordrain



## 3R10PX2-non

Square Anti-odour Floor Drain 10X10 cm. With connected pipe, Outlet 2"

## 3R20PX2-non

Square Anti-odour Floor Drain 10X20 cm. With connected pipe, Outlet 2"

## 3R30PX2-non

Square Anti-odour Floor Drain 10X30 cm. With connected pipe, Outlet 2"

## 3R40PX2-non

Square Anti-odour Floor Drain 10X40 cm. With connected pipe, Outlet 2"

## 3R60PX2-non

Square Anti-odour Floor Drain 10X60 cm. With connected pipe, Outlet 2"

## 3R80PX2-non

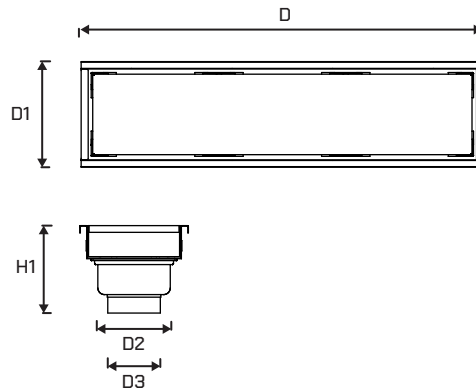
Square Anti-odour Floor Drain 10X80 cm. With connected pipe, Outlet 2"

## 3R100PX2-non

Square Anti-odour Floor Drain 10X100 cm. With connected pipe, Outlet 2"

## 3R120PX2-non

Square Anti-odour Floor Drain 10X120 cm. With connected pipe, Outlet 2"



| MODEL        | DIMENSIONS (MM.) |     |    |      |      |
|--------------|------------------|-----|----|------|------|
|              | D                | D1  | D2 | D3   | H1   |
| 3R10PX2-non  | 100              | 105 | 70 | 50.8 | 84.5 |
| 3R20PX2-non  | 200              | 105 | 70 | 50.8 | 84.5 |
| 3R30PX2-non  | 300              | 105 | 70 | 50.8 | 84.5 |
| 3R40PX2-non  | 400              | 105 | 70 | 50.8 | 84.5 |
| 3R60PX2-non  | 600              | 105 | 70 | 50.8 | 84.5 |
| 3R80PX2-non  | 800              | 105 | 70 | 50.8 | 84.5 |
| 3R100PX2-non | 1000             | 105 | 70 | 50.8 | 84.5 |
| 3R120PX2-non | 1200             | 105 | 70 | 50.8 | 84.5 |

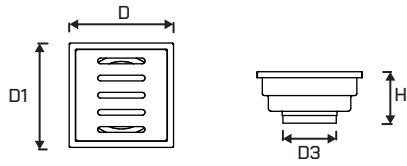


# Channel Floordrain



## 3R10PX-MN

Square Anti-odour Floor Drain 10x10 cm. With connected pipe, Outlet 2"



## 3R18PX-A-MN

Anti-odour Channel Floor Drain 10x18 inch With connected pipe, Outlet 2"

## 3R36PX-A-MN

Anti-odour Channel Floor Drain 10x36 inch With connected pipe, Outlet 2"

## 3R60PX-A-MN

Anti-odour Channel Floor Drain 10x60 inch With connected pipe, Outlet 2"

## 3R80PX-A-MN

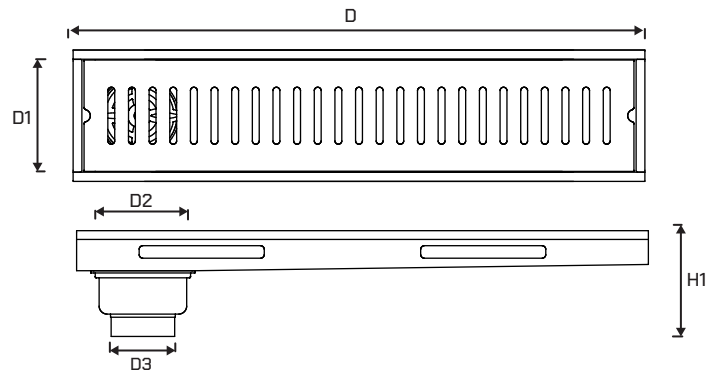
Anti-odour Channel Floor Drain 10x80 inch With connected pipe, Outlet 2"

## 3R100PX-A-MN

Anti-odour Channel Floor Drain 10x100 inch With connected pipe, Outlet 2"

## 3R120PX-A-MN

Anti-odour Channel Floor Drain 10x120 inch With connected pipe, Outlet 2"



| MODEL        | DIMENSIONS (MM.) |      |    |      |      |
|--------------|------------------|------|----|------|------|
|              | D                | D1   | D2 | D3   | H1   |
| 3R10PX-MN    | 100.5            | 88.6 | -  | 50.8 | 49   |
| 3R18PX-A-MN  | 457              | 105  | 70 | 50.8 | 84.5 |
| 3R36PX-A-MN  | 914.5            | 105  | 70 | 50.8 | 84.5 |
| 3R60PX-A-MN  | 600              | 105  | 70 | 50.8 | 84.5 |
| 3R80PX-A-MN  | 800              | 105  | 70 | 50.8 | 84.5 |
| 3R100PX-A-MN | 1000             | 105  | 70 | 50.8 | 84.5 |
| 3R120PX-A-MN | 1200             | 105  | 70 | 50.8 | 84.5 |

# Channel Floordrain



## 3R10PX2-tite

Square Anti-odour Tile Floor Drain 10X10 cm. With connected pipe, Outlet 2"

## 3R20PX2-tite

Square Anti-odour Tile Floor Drain 10X20 cm. With connected pipe, Outlet 2"

## 3R30PX2-tite

Square Anti-odour Tile Floor Drain 10X30 cm. With connected pipe, Outlet 2"

## 3R40PX2-tite

Square Anti-odour Tile Floor Drain 10X40 cm. With connected pipe, Outlet 2"

## 3R60PX2-tite

Square Anti-odour Tile Floor Drain 10X60 cm. With connected pipe, Outlet 2"

## 3R80PX2-tite

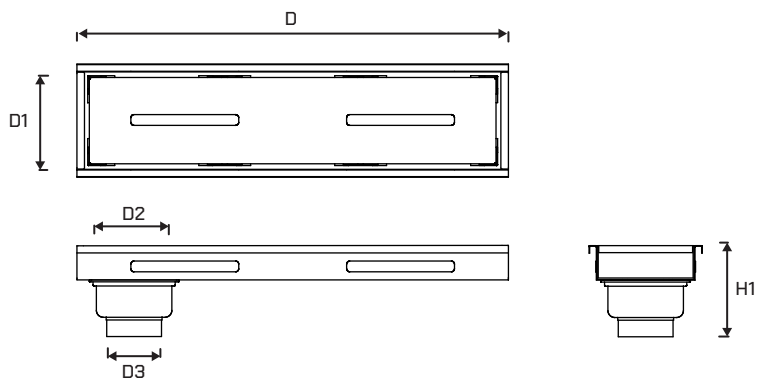
Square Anti-odour Tile Floor Drain 10X80 cm. With connected pipe, Outlet 2"

## 3R100PX2-tite

Square Anti-odour Tile Floor Drain 10X100 cm. With connected pipe, Outlet 2"

## 3R120PX2-tite

Square Anti-odour Tile Floor Drain 10X120 cm. With connected pipe, Outlet 2"



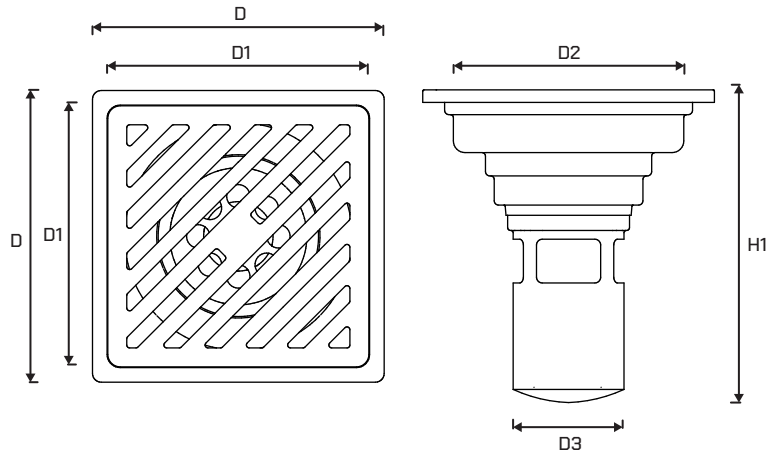
| MODEL         | DIMENSIONS (MM.) |      |    |      |      |
|---------------|------------------|------|----|------|------|
|               | D                | D1   | D2 | D3   | H1   |
| 3R10PX2-tite  | 100.5            | 88.6 | 70 | 50.8 | 49   |
| 3R20PX2-tite  | 200              | 105  | 70 | 50.8 | 84.5 |
| 3R30PX2-tite  | 300              | 105  | 70 | 50.8 | 84.5 |
| 3R40PX2-tite  | 400              | 105  | 70 | 50.8 | 84.5 |
| 3R60PX2-tite  | 600              | 105  | 70 | 50.8 | 84.5 |
| 3R80PX2-tite  | 800              | 105  | 70 | 50.8 | 84.5 |
| 3R100PX2-tite | 1000             | 105  | 70 | 50.8 | 84.5 |
| 3R120PX2-tite | 1200             | 105  | 70 | 50.8 | 84.5 |



# Floor Drain (Overflow)

## 1S10PPL-C

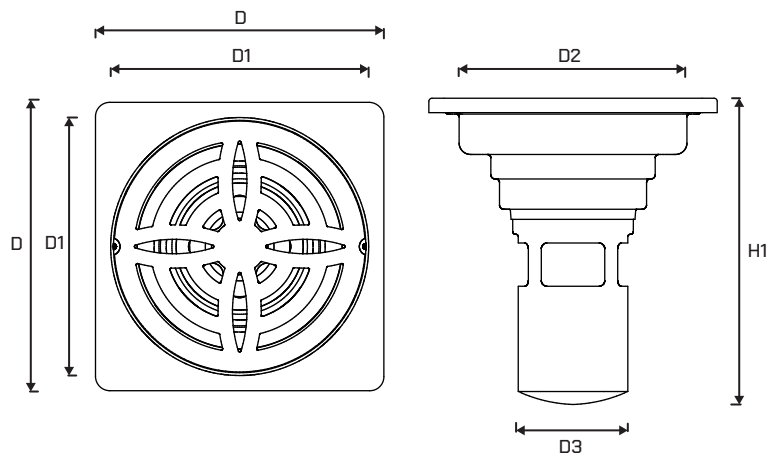
Square Anti-odour Floor Drain (Over Flow) 10x10 cm. With long outlet 2 - 3"



| MODEL     | DIMENSIONS (MM.) |    |    |    |       |
|-----------|------------------|----|----|----|-------|
|           | D                | D1 | D2 | D3 | H1    |
| 1S10PPL-C | 100              | 90 | 79 | 38 | 107.2 |

## 2S10PPL-A

Square Anti-odour Floor Drain (Over Flow) 10x10 cm. With long outlet 2 - 3"

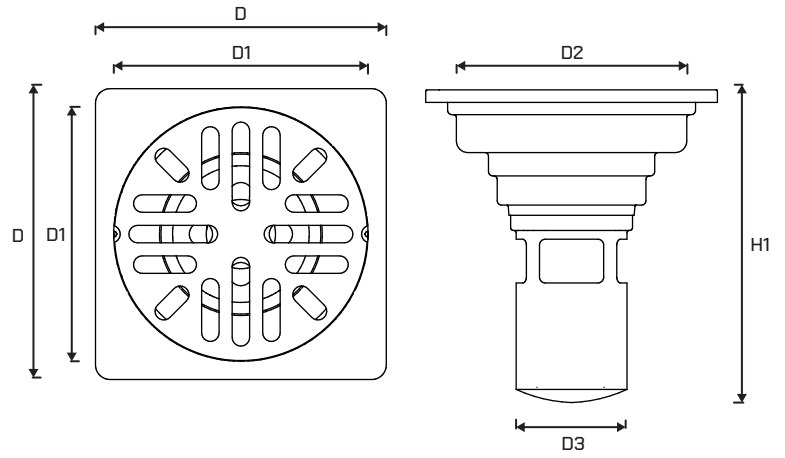


| MODEL     | DIMENSIONS (MM.) |      |    |    |       |
|-----------|------------------|------|----|----|-------|
|           | D                | D1   | D2 | D3 | H1    |
| 2S10PPL-A | 100              | 89.5 | 79 | 38 | 106.5 |

# Floor Drain (Overflow)

## 2S10PPL-M

Square Anti-odour Floor Drain (Over Flow) 10x10 cm. With long outlet 2 - 3"



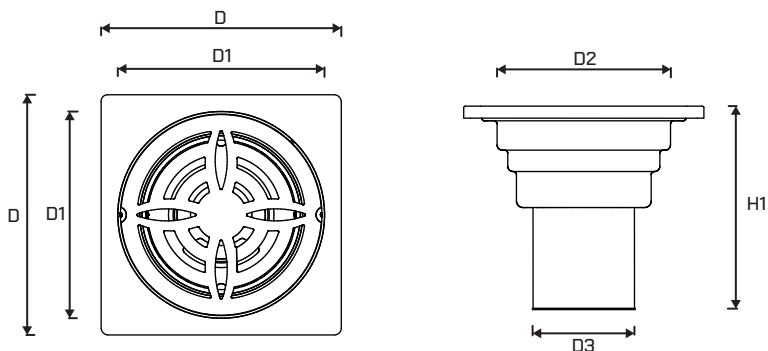
| MODEL     | DIMENSIONS (MM.) |      |    |    |       |
|-----------|------------------|------|----|----|-------|
|           | D                | D1   | D2 | D3 | H1    |
| 2S10PPL-M | 100              | 87.4 | 79 | 38 | 106.2 |

**FLOORDRIAN WITH SPRING OUTLET**

# Floor drain with spring outlet

## 2S09SP-A

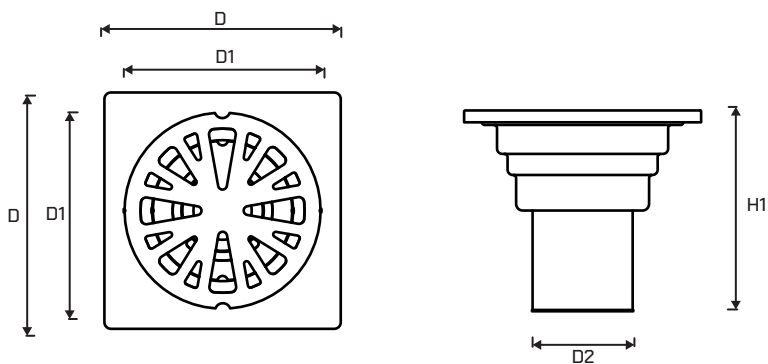
Square Floor Drain 9x9 cm. With spring outlet 2"-2 1/2"



| MODEL    | DIMENSIONS (MM.) |      |    |    |       |
|----------|------------------|------|----|----|-------|
|          | D                | D1   | D2 | D3 | H1    |
| 2S09SP-A | 90               | 77.5 | 65 | 38 | 76.25 |

## 2S09SP-H

Square Floor Drain 9x9 cm. With spring outlet 2"-2 1/2"

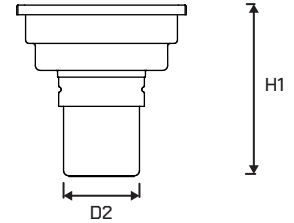
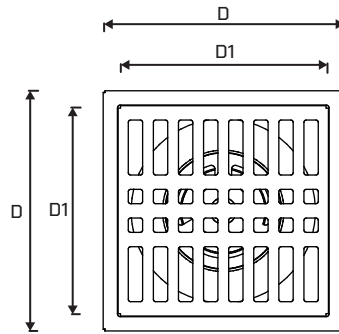


| MODEL    | DIMENSIONS (MM.) |      |      |    |      |
|----------|------------------|------|------|----|------|
|          | D                | D1   | D2   | D3 | H1   |
| 2S09SP-H | 116.1            | 96.3 | 38.5 | -  | 76.3 |

# Floor drain with spring outlet

## 3RS10P2-D

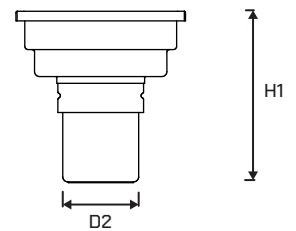
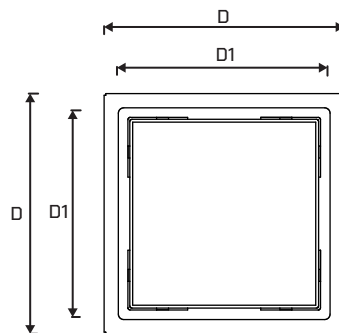
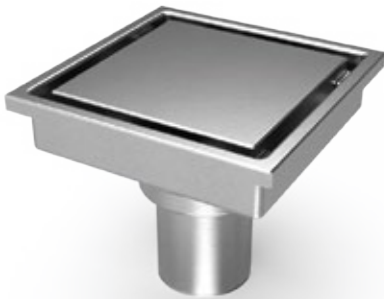
Square Floor Drain 10x10 cm. With spring outlet 2"-3"



| MODEL     | DIMENSIONS (MM.) |      |    |    |      |
|-----------|------------------|------|----|----|------|
|           | D                | D1   | D2 | D3 | H1   |
| 3RS10P2-D | 100.5            | 88.6 | 45 | -  | 87.1 |

## 3RS10P2-non

Square Floor Drain 10x10 cm. With Spring Outlet 2"-3"



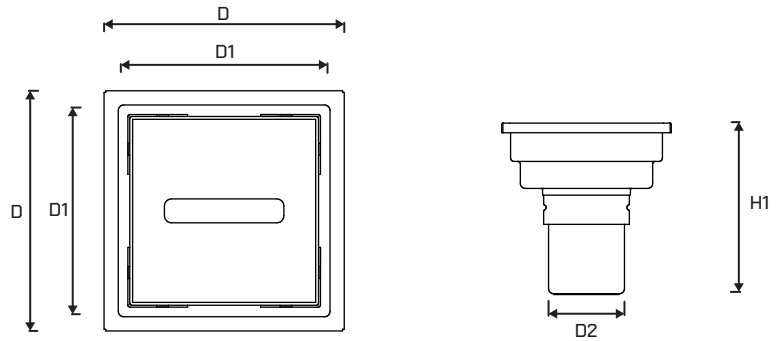
| MODEL       | DIMENSIONS (MM.) |      |    |    |      |
|-------------|------------------|------|----|----|------|
|             | D                | D1   | D2 | D3 | H1   |
| 3RS10P2-non | 100.5            | 88.6 | 45 | -  | 87.1 |



# Floor drain with spring outlet

## 3RS10P2-tite

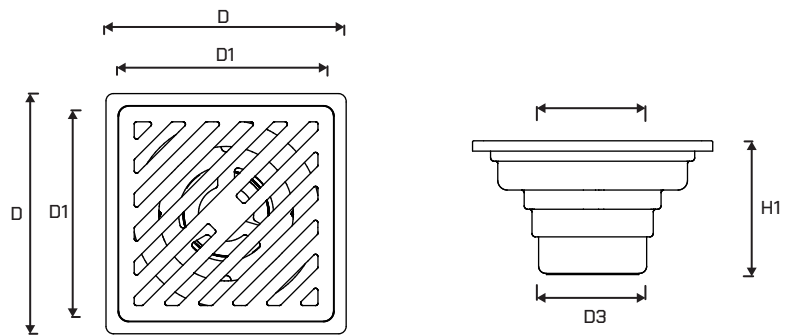
Square Tile Drain 10x10 cm. With Spring Outlet 2"-3"



| MODEL        | DIMENSIONS (MM.) |      |    |    |      |
|--------------|------------------|------|----|----|------|
|              | D                | D1   | D2 | D3 | H1   |
| 3RS10P2-tite | 100.5            | 88.6 | 45 | -  | 87.1 |

## 1S10SP2-C

Square Floor Drain 10x10 cm. With spring outlet 2"-3"

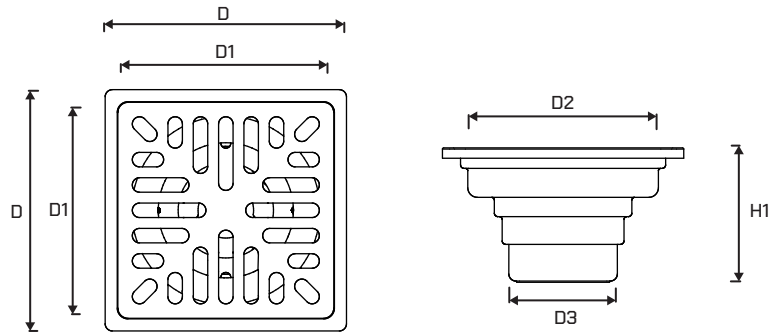


| MODEL     | DIMENSIONS (MM.) |    |    |      |      |
|-----------|------------------|----|----|------|------|
|           | D                | D1 | D2 | D3   | H1   |
| 1S10SP2-C | 100              | 90 | 79 | 50.8 | 55.7 |

# Floor drain with spring outlet

## 1S10SP2-M

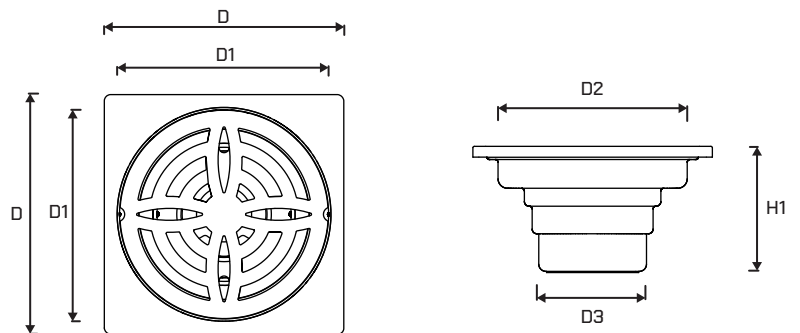
Square Floor Drain 10x10 cm. With spring outlet 2"-3"



| MODEL     | DIMENSIONS (MM.) |    |    |    |      |
|-----------|------------------|----|----|----|------|
|           | D                | D1 | D2 | D3 | H1   |
| 1S10SP2-M | 100              | 90 | 79 | 12 | 55.7 |

## 2S10SP2-A

Square Floor Drain 10x10 cm. With spring outlet 2"-3"

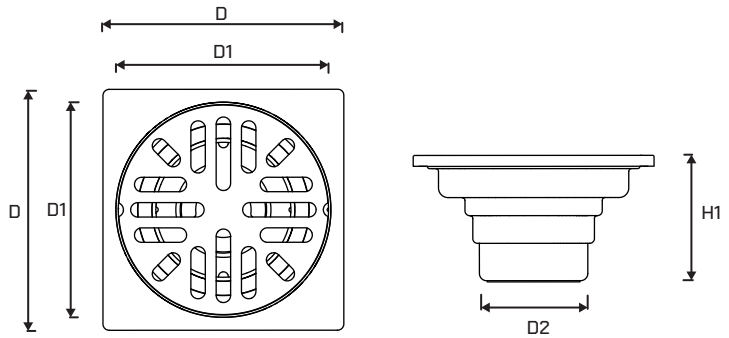


| MODEL     | DIMENSIONS (MM.) |    |    |    |      |
|-----------|------------------|----|----|----|------|
|           | D                | D1 | D2 | D3 | H1   |
| 2S10SP2-A | 100              | 90 | 79 | 45 | 52.7 |

# Floor drain with spring outlet

## 2S10SP2-M

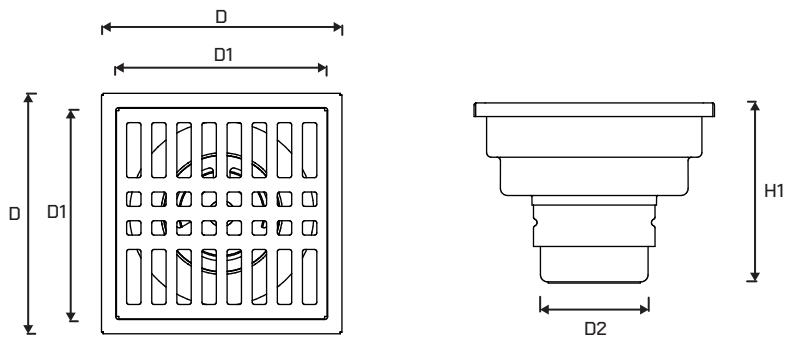
Square Floor Drain 10x10 cm. With spring outlet 2"-3"



| MODEL     | DIMENSIONS (MM.) |    |    |    |      |
|-----------|------------------|----|----|----|------|
|           | D                | D1 | D2 | D3 | H1   |
| 2S10SP2-M | 100              | 90 | 45 | -  | 52.5 |

## 3RS10SP2-D

Square Floor Drain 10x10 cm. With spring outlet 2"-3"

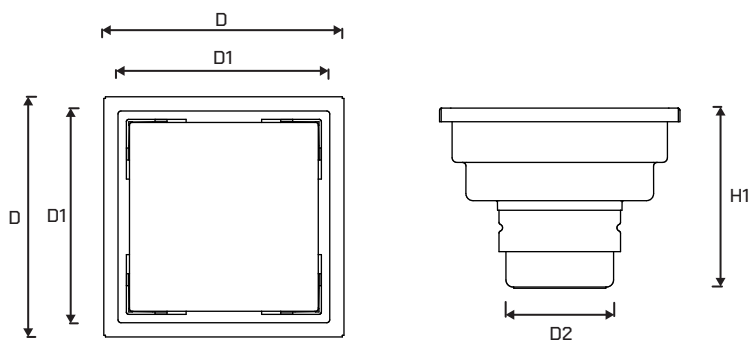


| MODEL      | DIMENSIONS (MM.) |      |    |    |      |
|------------|------------------|------|----|----|------|
|            | D                | D1   | D2 | D3 | H1   |
| 3RS10SP2-D | 100.5            | 88.6 | 45 | -  | 75.3 |

# Floor drain with spring outlet

## 3RS10SP2-non

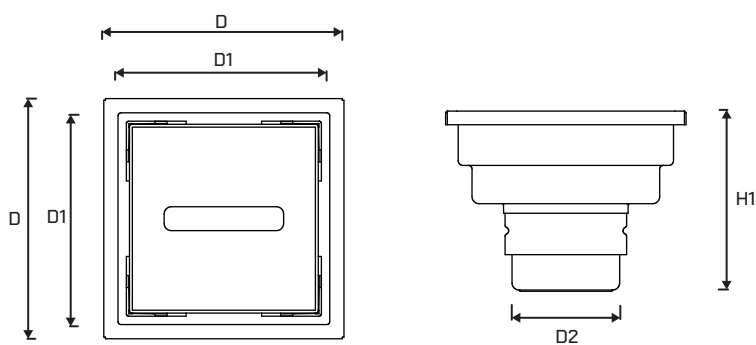
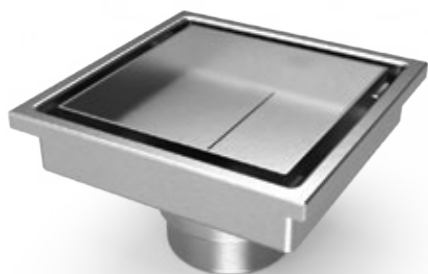
Square Floor Drain 10x10 cm. With Spring Outlet 2"-3"



| MODEL       | DIMENSIONS (MM.) |      |    |    |      |
|-------------|------------------|------|----|----|------|
|             | D                | D1   | D2 | D3 | H1   |
| 3S10SP2-non | 100.5            | 88.6 | 45 | -  | 75.3 |

## 3RS10SP2-tite

Square Tile Drain 10x10 cm. With Spring Outlet 2"-3"

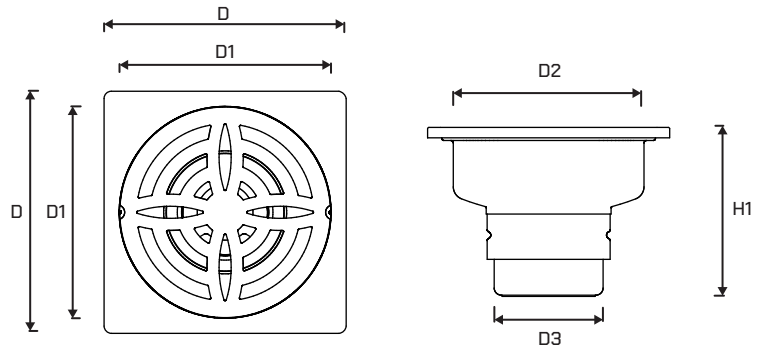


| MODEL         | DIMENSIONS (MM.) |      |    |    |      |
|---------------|------------------|------|----|----|------|
|               | D                | D1   | D2 | D3 | H1   |
| 3RS10SP2-tite | 100.5            | 88.6 | 45 | -  | 75.3 |

# Floor drain with spring outlet

## 2S10SPP2-A

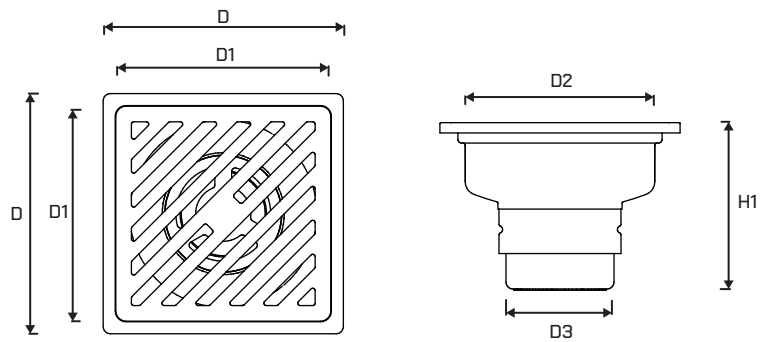
Square Floor Drain 10x10 cm. With spring outlet 2"



| MODEL      | DIMENSIONS (MM.) |      |      |    |       |
|------------|------------------|------|------|----|-------|
|            | D                | D1   | D2   | D3 | H1    |
| 2S10SPP2-A | 100              | 87.5 | 78.8 | 45 | 106.2 |

## 1S10SPP2-C

Square Floor Drain 10x10 cm. With spring outlet 2"

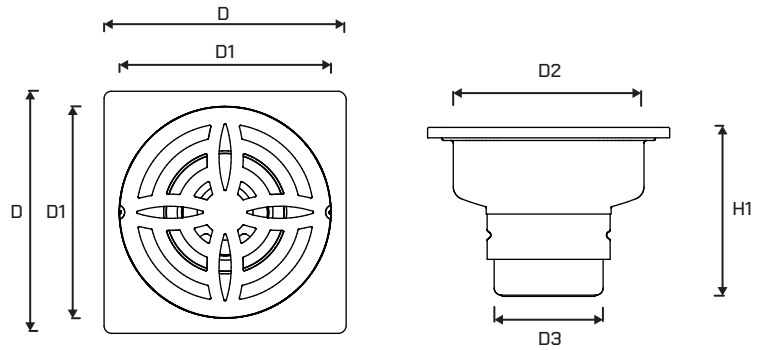


| MODEL      | DIMENSIONS (MM.) |    |    |    |      |
|------------|------------------|----|----|----|------|
|            | D                | D1 | D2 | D3 | H1   |
| 1S10SPP2-C | 100              | 90 | 70 | 50 | 69.8 |

# Floor drain with spring outlet

## 1S10SPP2-M

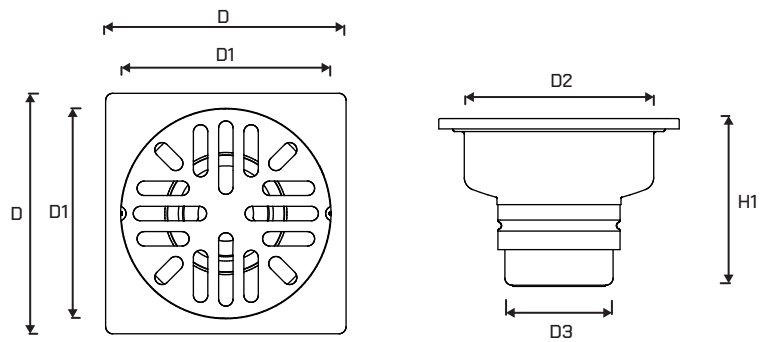
Square Floor Drain 10x10 cm. With spring outlet 2"



| MODEL      | DIMENSIONS (MM.) |      |      |    |       |
|------------|------------------|------|------|----|-------|
|            | D                | D1   | D2   | D3 | H1    |
| 1S10SPP2-M | 100              | 87.5 | 78.8 | 45 | 106.2 |

## 2S10SPP2-M

Square Floor Drain 10x10 cm. With spring outlet 2"



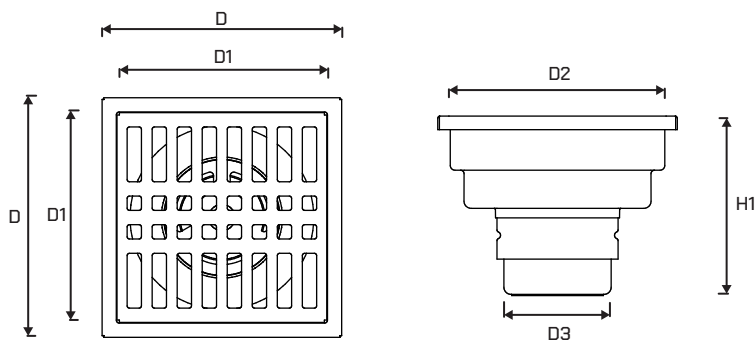
| MODEL      | DIMENSIONS (MM.) |      |    |    |      |
|------------|------------------|------|----|----|------|
|            | D                | D1   | D2 | D3 | H1   |
| 2S10SPP2-M | 100              | 87.5 | 79 | 45 | 69.8 |

# Floor drain with spring outlet



## 3S10SPP2-D

Square Floor Drain 10x10 cm. With spring outlet 2"

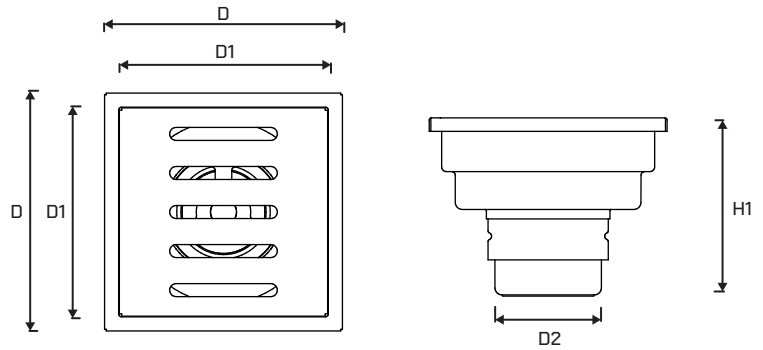


| MODEL      | DIMENSIONS (MM.) |      |    |    |      |
|------------|------------------|------|----|----|------|
|            | D                | D1   | D2 | D3 | H1   |
| 3S10SPP2-D | 100              | 88.6 | 45 | -  | 75.3 |

# Floor drain with spring outlet

## 3R10SPP2-MN

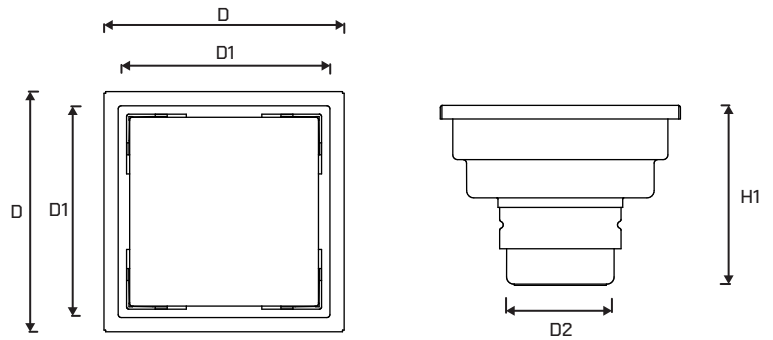
Square Floor Drain 10x10 cm. With spring outlet 2"



| MODEL       | DIMENSIONS (MM.) |      |    |    |      |
|-------------|------------------|------|----|----|------|
|             | D                | D1   | D2 | D3 | H1   |
| 3R10SPP2-MN | 100.5            | 88.6 | 45 | -  | 75.3 |

## 3R10SPP2-non

Square Anti-odour Floor Drain 10x10 cm. With spring outlet 2"-3"



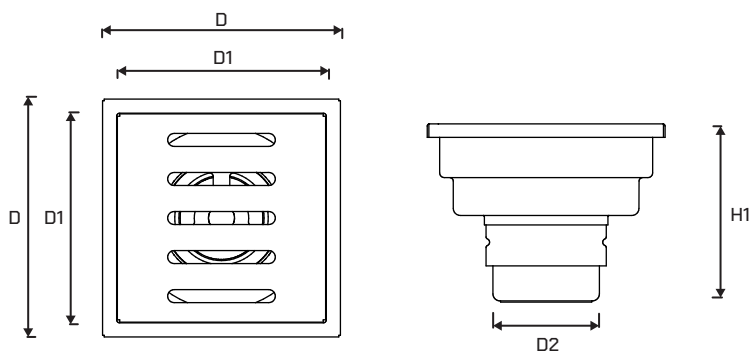
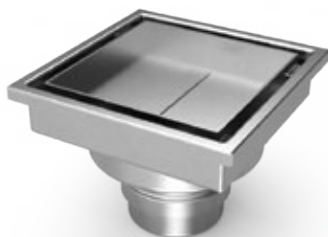
| MODEL        | DIMENSIONS (MM.) |      |    |    |      |
|--------------|------------------|------|----|----|------|
|              | D                | D1   | D2 | D3 | H1   |
| 3R10SPP2-non | 100.5            | 88.6 | 45 | -  | 75.3 |



# Floor drain with spring outlet

## 3R10SPP2-tite

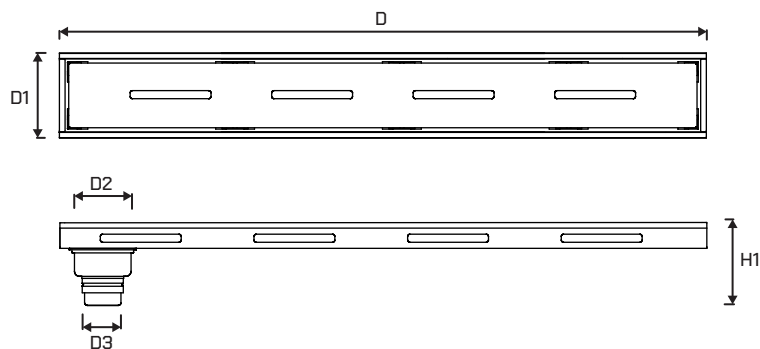
Square Anti-odour Tile Floor Drain 10x10 cm. With spring outlet 2"-3"



| MODEL       | DIMENSIONS (MM.) |      |    |    |      |
|-------------|------------------|------|----|----|------|
|             | D                | D1   | D2 | D3 | H1   |
| 3R10SPP2-MN | 100.5            | 88.6 | 45 | -  | 75.3 |

## 3R80SPP2-tite

Anti-odour Tile Floor Drain 10x80 cm. With spring outlet 2"-3"



| MODEL        | DIMENSIONS (MM.) |     |    |    |       |
|--------------|------------------|-----|----|----|-------|
|              | D                | D1  | D2 | D3 | H1    |
| 3R10SPP2-non | 800              | 105 | 70 | 45 | 102.4 |

# Floor drain with spring outlet



## 4R20SPP2-MN

Channel Floor Drain 7x20 cm. With spring outlet 2"

## 4R40SPP2-MN

Channel Floor Drain 7x40 cm. With spring outlet 2"

## 4R60SPP2-MN

Channel Floor Drain 7x60 cm. With spring outlet 2"

## 4R70SPP2-MN

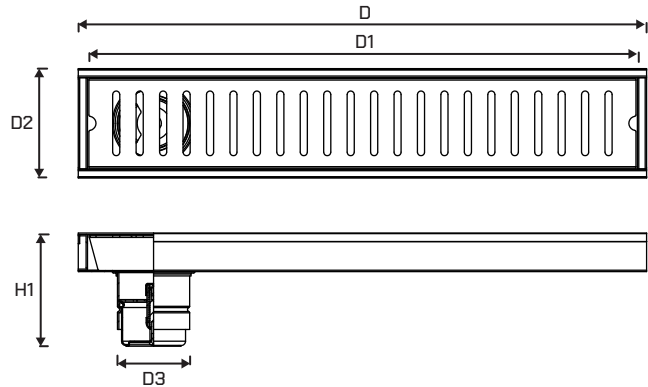
Channel Floor Drain 7x70 cm. With spring outlet 2"

## 4R80SPP2-MN

Channel Floor Drain 7x80 cm. With spring outlet 2"

## 4R100SPP2-MN

Channel Floor Drain 7x100 cm. With spring outlet 2"



| MODEL        | DIMENSIONS (MM.) |     |    |      |    |
|--------------|------------------|-----|----|------|----|
|              | D                | D1  | D2 | D3   | H1 |
| 4R20SPP2-MN  | 200              | 185 | 77 | 50.8 | 82 |
| 4R40SPP2-MN  | 400              | 385 | 77 | 50.8 | 82 |
| 4R60SPP2-MN  | 600              | 585 | 77 | 50.8 | 82 |
| 4R70SPP2-MN  | 700              | 685 | 77 | 50.8 | 82 |
| 4R80SPP2-MN  | 800              | 785 | 77 | 50.8 | 82 |
| 4R100SPP2-MN | 1000             | 985 | 77 | 50.8 | 82 |

# Floor drain with spring outlet



## 4R20SPP2-tite

Tile Floor Drain 7x20 cm. With spring outlet 2"

## 4R40SPP2-tite

Tile Floor Drain 7x40 cm. With spring outlet 2"

## 4R60SPP2-tite

Tile Floor Drain 7x60 cm. With spring outlet 2"

## 4R70SPP2-tite

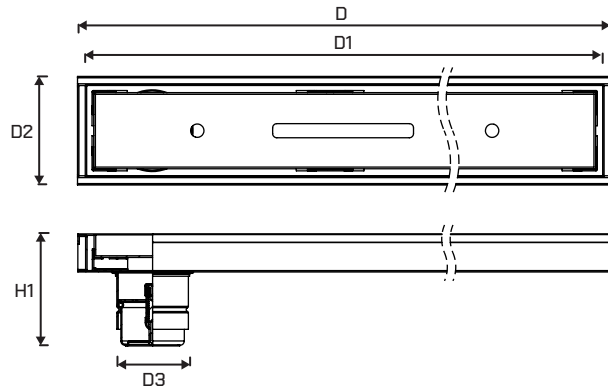
Tile Floor Drain 7x70 cm. With spring outlet 2"

## 4R80SPP2-tite

Tile Floor Drain 7x80 cm. With spring outlet 2"

## 4R100SPP2-tite

Tile Floor Drain 7x100 cm. With spring outlet 2"

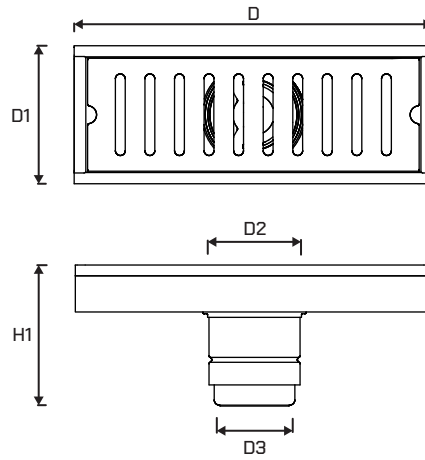
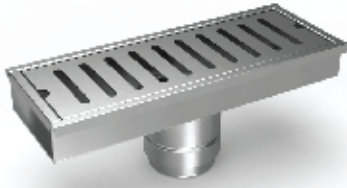


| MODEL        | DIMENSIONS [MM.] |     |    |      |    |
|--------------|------------------|-----|----|------|----|
|              | D                | D1  | D2 | D3   | H1 |
| 4R20SPP2-MN  | 200              | 177 | 77 | 50.8 | 82 |
| 4R40SPP2-MN  | 400              | 377 | 77 | 50.8 | 82 |
| 4R60SPP2-MN  | 600              | 577 | 77 | 50.8 | 82 |
| 4R70SPP2-MN  | 700              | 677 | 77 | 50.8 | 82 |
| 4R80SPP2-MN  | 800              | 777 | 77 | 50.8 | 82 |
| 4R100SPP2-MN | 1000             | 977 | 77 | 50.8 | 82 |

# Floor drain with spring outlet

## 4R1 20SPP2-MN

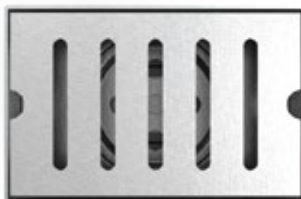
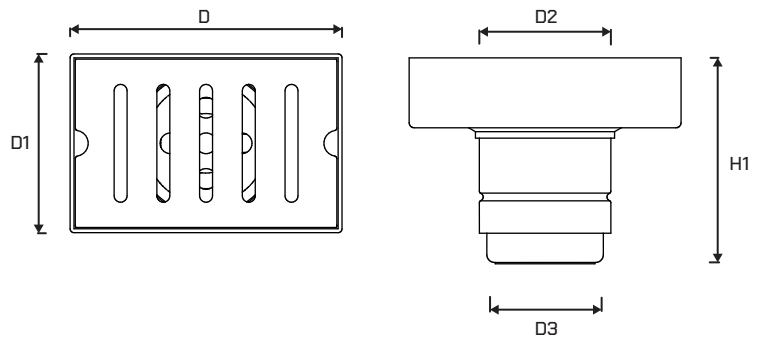
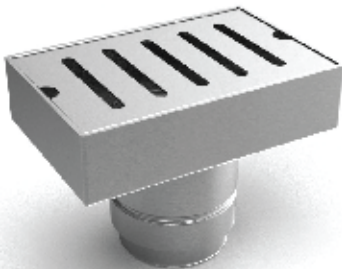
Channel Floor Drain 7x20 cm. With spring, Center Outlet 2"



| MODEL         | DIMENSIONS (MM.) |    |      |    |      |
|---------------|------------------|----|------|----|------|
|               | D                | D1 | D2   | D3 | H1   |
| 4R1 20SPP2-MN | 200              | 77 | 50.8 | 45 | 78.7 |

## 225-70x105 SPP2-MN

Channel Floor Drain 7x105 cm. With spring, Center Outlet 2"



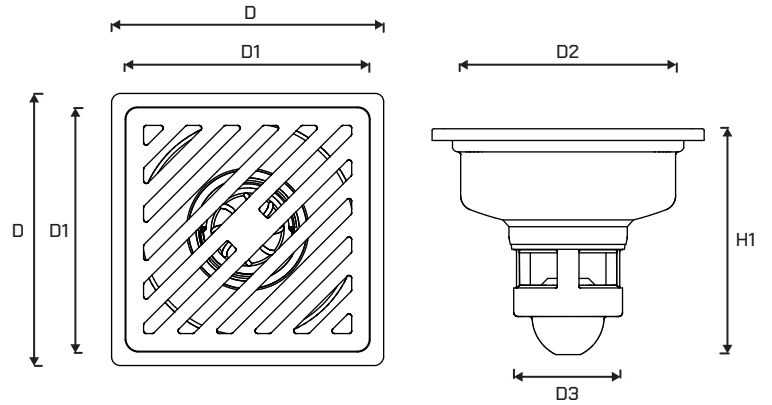
| MODEL                 | DIMENSIONS (MM.) |    |      |    |      |
|-----------------------|------------------|----|------|----|------|
|                       | D                | D1 | D2   | D3 | H1   |
| 225-70x105<br>SPP2-MN | 105              | 69 | 50.8 | 45 | 79.5 |



# Floor Drain With Magnet Outlet

## 1SM10-C

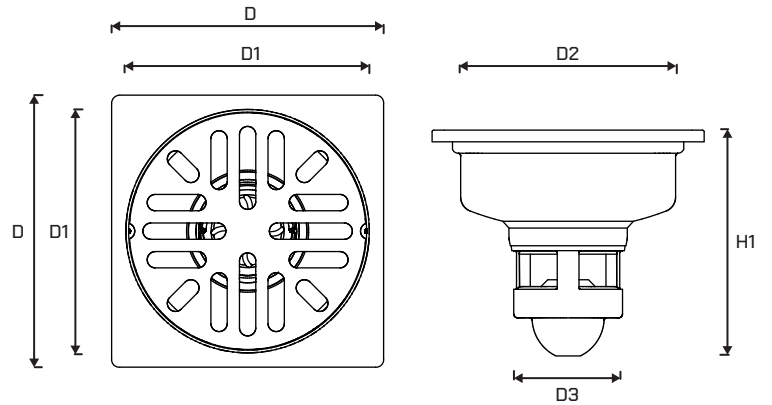
Square Anti-odour Floor Drain 10X10 cm. With magnet outlet 2"



| MODEL   | DIMENSIONS (MM.) |    |    |    |    |
|---------|------------------|----|----|----|----|
|         | D                | D1 | D2 | D3 | H1 |
| 1SM10-C | 100              | 90 | 79 | 40 | 83 |

## 2SM10-M

Square Anti-odour Floor Drain 10X10 cm. With magnet outlet 2"

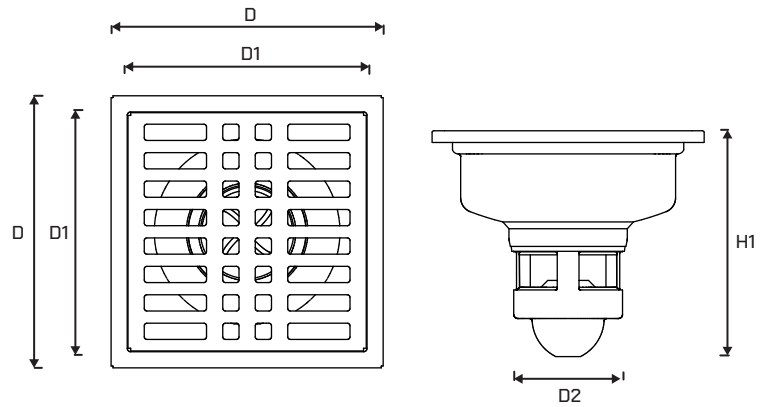


| MODEL   | DIMENSIONS (MM.) |    |    |    |    |
|---------|------------------|----|----|----|----|
|         | D                | D1 | D2 | D3 | H1 |
| 2SM10-M | 100              | 90 | 79 | 40 | 83 |

# Floor Drain With Magnet Outlet

## 3RM10-D

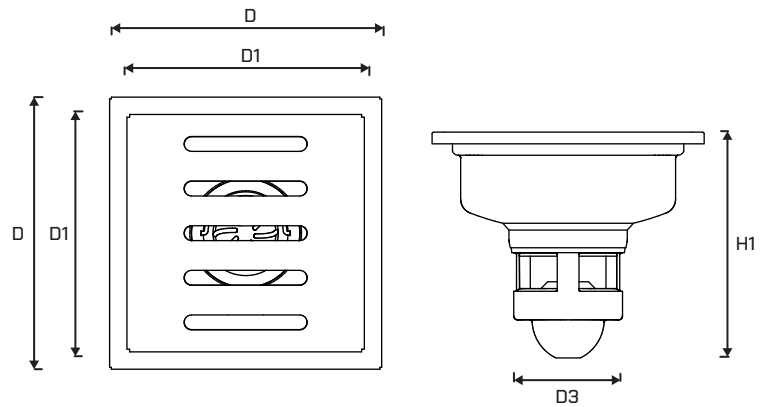
Square Anti-odour Floor Drain 10X10 cm. With magnet outlet 2"



| MODEL   | DIMENSIONS (MM.) |      |    |    |      |
|---------|------------------|------|----|----|------|
|         | D                | D1   | D2 | D3 | H1   |
| 3RM10-D | 100.5            | 88.6 | 40 | -  | 89.5 |

## 3RM10-MN

Square Anti-odour Floor Drain 10X10 cm. With magnet outlet 2"

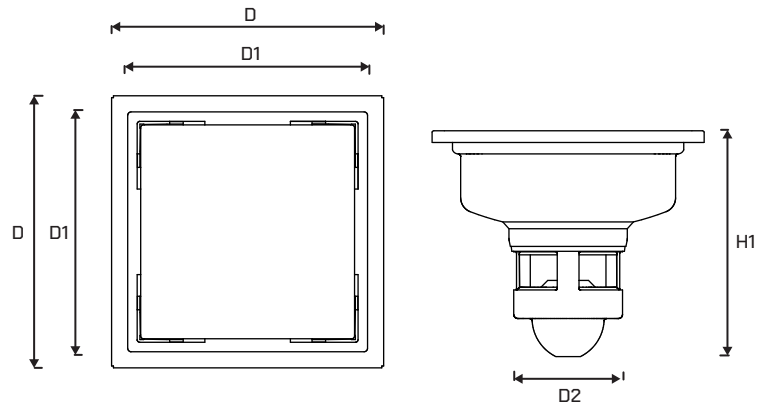


| MODEL    | DIMENSIONS (MM.) |      |    |    |    |
|----------|------------------|------|----|----|----|
|          | D                | D1   | D2 | D3 | H1 |
| 3RM10-MN | 100.5            | 88.6 | 40 | -  | 83 |

# Floor Drain With Magnet Outlet

## 3RM10-non

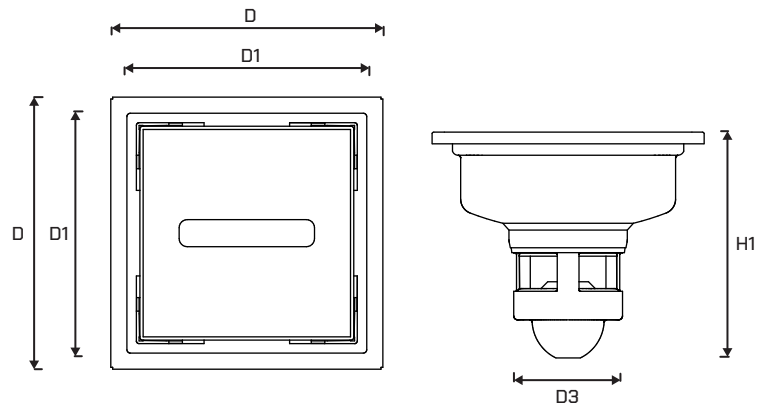
Square Anti-odour Floor Drain 10X10 cm. With magnet outlet 2"



| MODEL   | DIMENSIONS (MM.) |      |    |    |      |
|---------|------------------|------|----|----|------|
|         | D                | D1   | D2 | D3 | H1   |
| 3RM10-D | 100.5            | 88.6 | 40 | -  | 89.5 |

## 3RM10-tite

Square Anti-odour Tile Drain 10X10 cm. With magnet outlet 2"



| MODEL    | DIMENSIONS (MM.) |      |    |    |    |
|----------|------------------|------|----|----|----|
|          | D                | D1   | D2 | D3 | H1 |
| 3RM10-MN | 100.5            | 88.6 | 40 | -  | 83 |





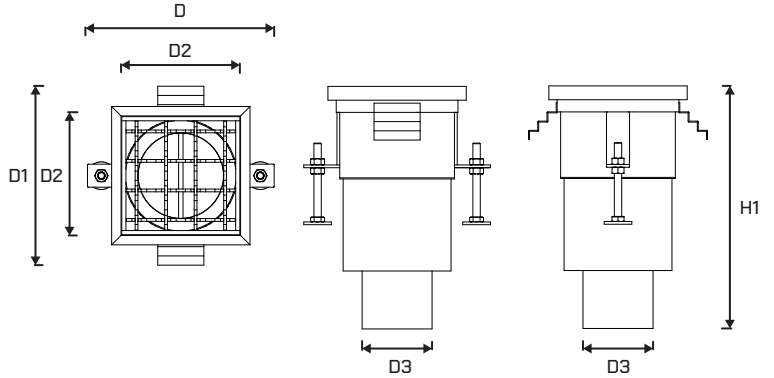
# Floor Drain (Granting)



## GRATING-TYPE-A chom s

Square Anti-odour Floor Drain 15x15 cm.

With Debris filter basket, Outlet 3"



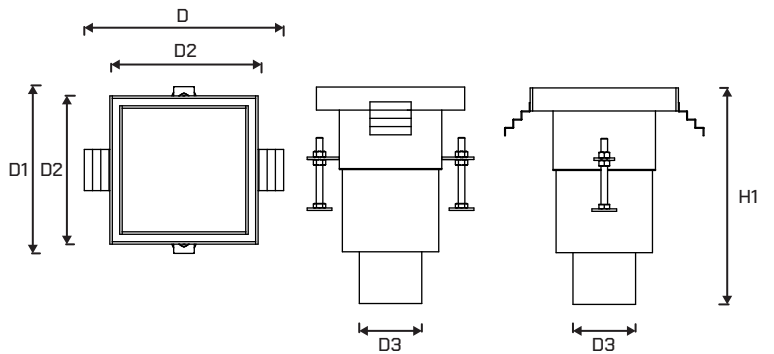
| MODEL                    | DIMENSIONS (MM.) |     |     |      |       |
|--------------------------|------------------|-----|-----|------|-------|
|                          | D                | D1  | D2  | D3   | H1    |
| GRATING-TYPE-A<br>chom s | 202.4            | 194 | 150 | 75.8 | 272.9 |



## GRATING-TYPE-A5 chom s

Square Anti-odour Tile Drain 18x18 cm.

With Debris filter basket, Outlet 3"



| MODEL                    | DIMENSIONS (MM.) |     |     |      |       |
|--------------------------|------------------|-----|-----|------|-------|
|                          | D                | D1  | D2  | D3   | H1    |
| GRATING-TYPE-A<br>chom s | 202.4            | 194 | 150 | 75.8 | 272.9 |

# Floor Drain (Granting)



## GRATING-TYPE-B2 chom s

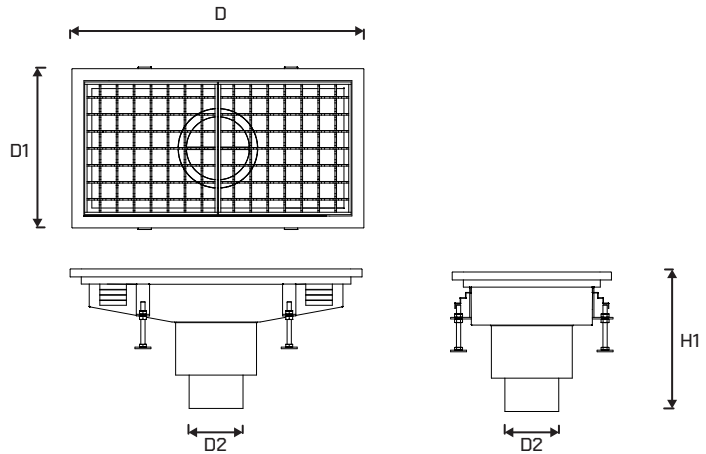
Anti-odour Channel Floor Drain 30x55 cm.

With Debris filter basket, Outlet 4"

## GRATING-TYPE-B3 chom s

Anti-odour Channel Floor Drain 30x100 cm.

With Debris filter basket, Outlet 4"



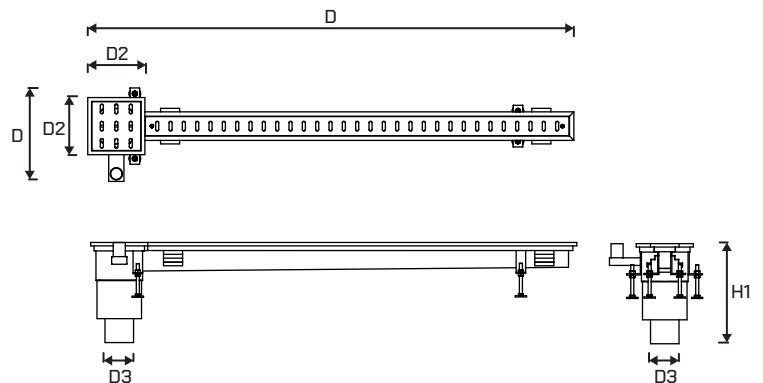
| MODEL                     | DIMENSIONS (MM.) |     |    |    |       |
|---------------------------|------------------|-----|----|----|-------|
|                           | D                | D1  | D2 | D3 | H1    |
| GRATING-TYPE-B2<br>chom s | 550              | 300 | 10 | -  | 262.8 |
| GRATING-TYPE-B3<br>chom s | 1050             | 300 | 10 | -  | 262.8 |



## GRATING-TYPE-D chom s

Anti-odour Channel Floor Drain With clarifier size 15x15 cm.

With Debris filter basket, Outlet 4"



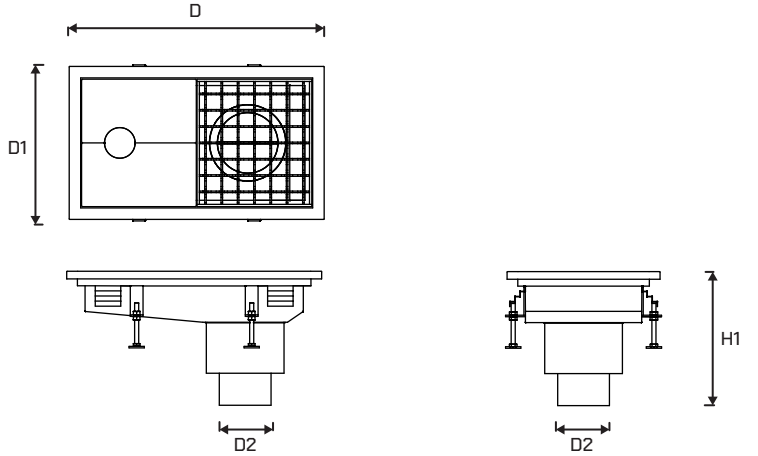
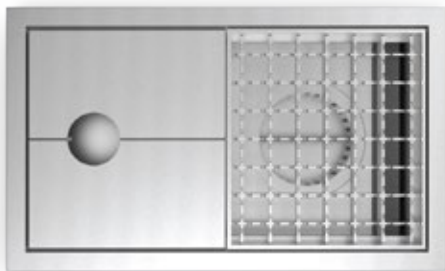
| MODEL                    | DIMENSIONS (MM.) |       |     |    |       |
|--------------------------|------------------|-------|-----|----|-------|
|                          | D                | D1    | D2  | D3 | H1    |
| GRATING-TYPE-D<br>chom s | 1276.2           | 245.4 | 150 | 75 | 262.8 |

# Floor Drain (Grating)

## GRATING-TYPE-E chom s

Anti-odour Channel Floor Drain 30x50 cm.

With Debris filter basket, Outlet 4"

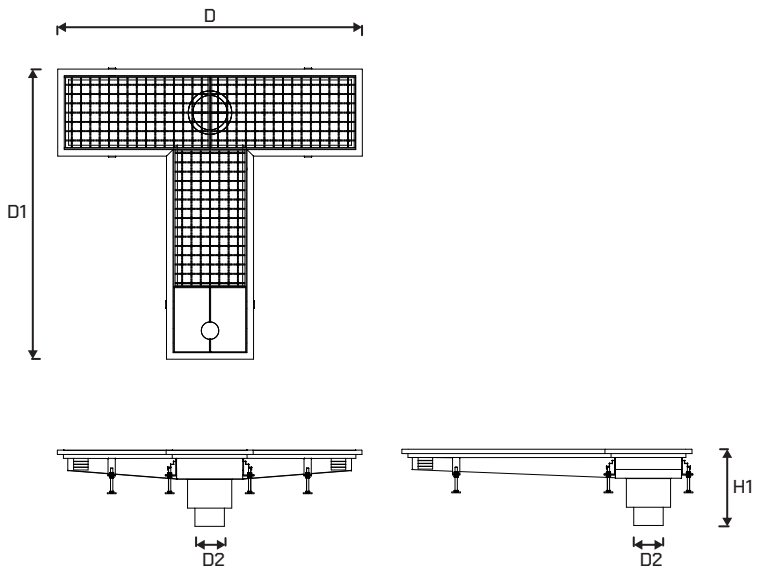
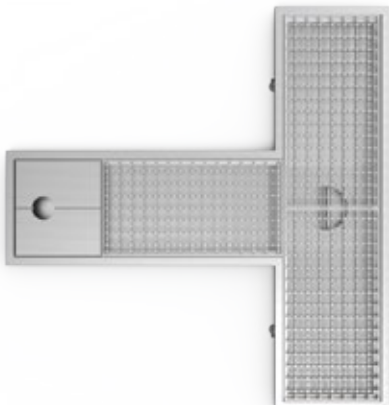
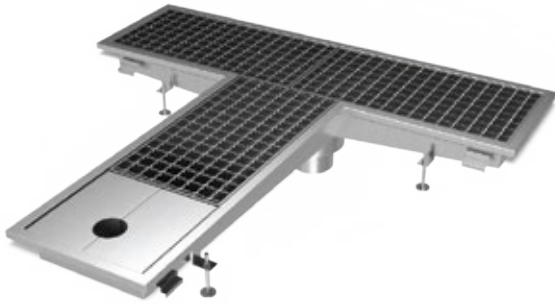


| MODEL                    | DIMENSIONS (MM.) |     |       |    |       |
|--------------------------|------------------|-----|-------|----|-------|
|                          | D                | D1  | D2    | D3 | H1    |
| GRATING-TYPE-E<br>chom s | 550              | 300 | 101.4 | -  | 262.8 |

## GRATING-TYPE-F chom s

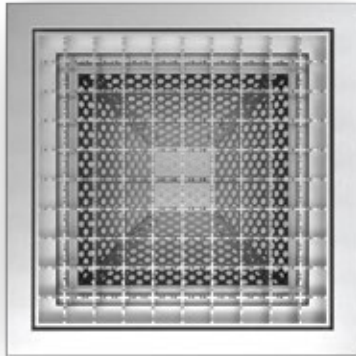
Anti-odour Channel Floor Drain 30x70 cm & 30x100 cm. (T Shape)

With Debris filter basket, Outlet 4"



| MODEL                    | DIMENSIONS (MM.) |      |       |    |       |
|--------------------------|------------------|------|-------|----|-------|
|                          | D                | D1   | D2    | D3 | H1    |
| GRATING-TYPE-F<br>chom s | 1000             | 1000 | 101.5 | -  | 262.8 |

# Floor Drain (Granting)

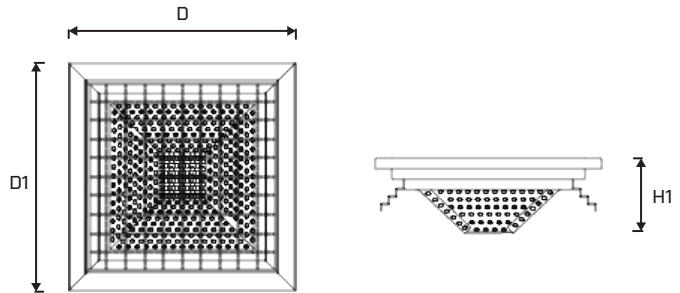


## SS.Floor grating 300x300T1.5

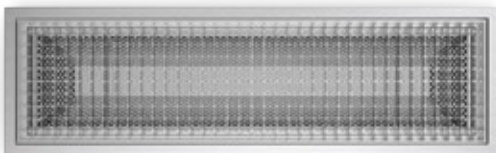
Square Floor Grating Frame 30x30 cm. With Debris filter basket

## SS.Floor grating 350x350T1.5

Floor Grating Frame 30x100 cm. With Debris filter basket



| MODEL                        | DIMENSIONS (MM.) |     |    |    |     |
|------------------------------|------------------|-----|----|----|-----|
|                              | D                | D1  | D2 | D3 | H1  |
| SS.Floor grating 300x300T1.5 | 300              | 300 | -  | -  | 100 |
| SS.Floor grating 350x350T1.5 | 350              | 350 | -  | -  | 100 |

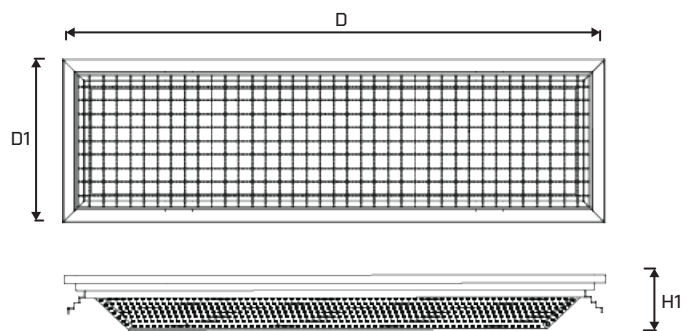


## SS.Floor grating 300x1000T1.5

Floor Grating Frame 30x100 cm. With Debris filter basket

## SS.Floor grating 350x1000T1.5

Floor Grating Frame 35x100 cm. With Debris filter basket



| MODEL                         | DIMENSIONS (MM.) |     |    |    |     |
|-------------------------------|------------------|-----|----|----|-----|
|                               | D                | D1  | D2 | D3 | H1  |
| SS.Floor grating 300x1000T1.5 | 1000             | 300 | -  | -  | 100 |
| SS.Floor grating 350x1000T1.5 | 1000             | 350 | -  | -  | 100 |

# Floor Drain (Granting)

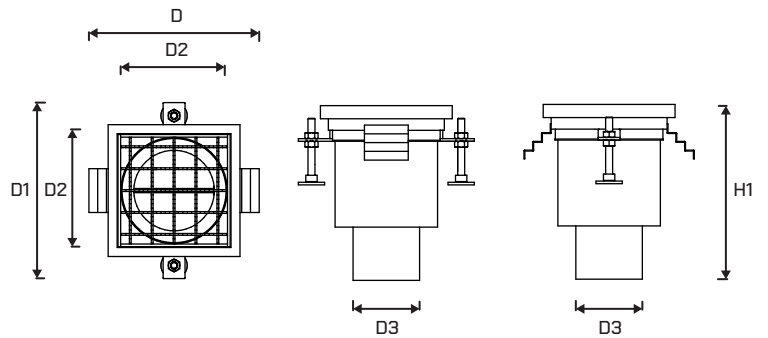


## Type A (150x150-200)

Square Anti-odour Floor Drain 15x15 cm.  
With Debris filter basket, Outlet 3" (H 200 cm.)

## Type A (180x180-200)

Square Anti-odour Floor Drain 18x18 cm.  
With Debris filter basket, Outlet 3" (H 200 cm.)

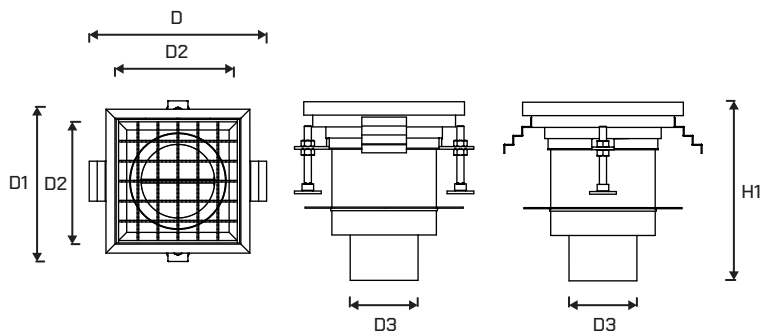


| MODEL                | DIMENSIONS (MM.) |       |     |    |     |
|----------------------|------------------|-------|-----|----|-----|
|                      | D                | D1    | D2  | D3 | H1  |
| Type A (150x150-200) | 200.9            | 194.4 | 150 | 76 | 200 |
| Type A (180x180-200) | 221.9            | 200.9 | 180 | 76 | 200 |



## Type A (180x180-200)-T

Square Anti-odour Floor Drain 18x18 cm.  
With Debris filter basket, Outlet 3" (H 200 cm.)(Special)



| MODEL                  | DIMENSIONS (MM.) |       |     |    |     |
|------------------------|------------------|-------|-----|----|-----|
|                        | D                | D1    | D2  | D3 | H1  |
| Type A (180x180-200)-T | 221.9            | 200.9 | 180 | 76 | 200 |

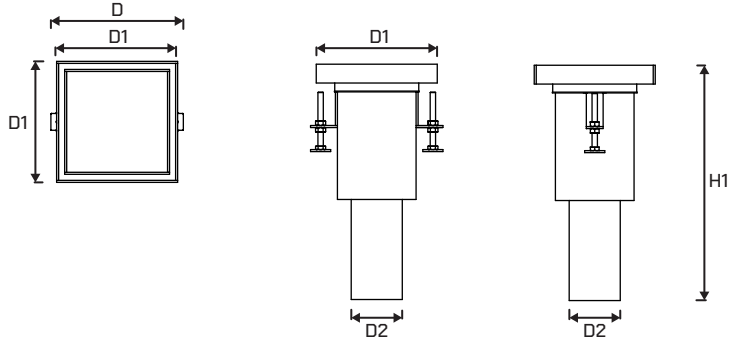
# Floor Drain (Granting)



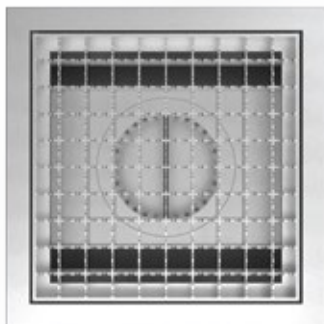
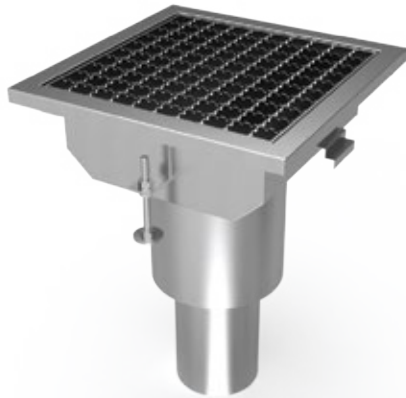
## Type A1

Square Anti-odour Tile Floor Drain 18x18 cm.

With Debris filter basket, Outlet 3"



| MODEL   | DIMENSIONS (MM.) |     |    |    |     |
|---------|------------------|-----|----|----|-----|
|         | D                | D1  | D2 | D3 | H1  |
| Type A1 | 197              | 180 | 78 | -  | 350 |



## Type B (300x300)

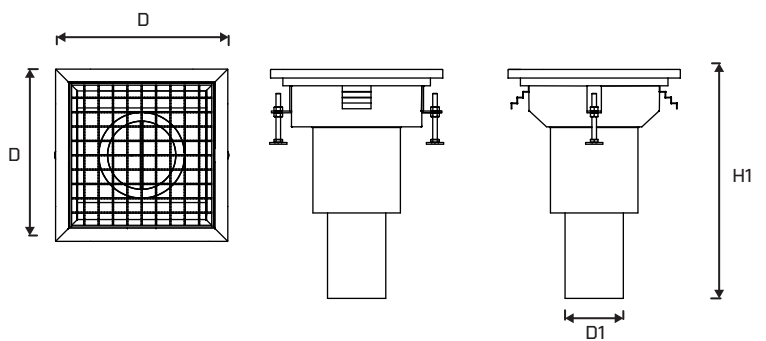
Square Anti-odour Floor Drain 30x30 cm.

With Debris filter basket, Outlet 4"

## Type B (350x350)

Square Anti-odour Floor Drain 35x35 cm.

With Debris filter basket, Outlet 4"



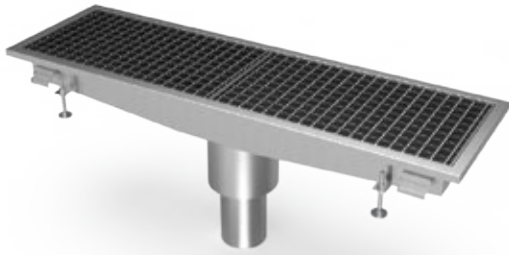
| MODEL            | DIMENSIONS (MM.) |       |    |    |     |
|------------------|------------------|-------|----|----|-----|
|                  | D                | D1    | D2 | D3 | H1  |
| Type B (300x300) | 300              | 101.4 | -  | -  | 400 |
| Type B (350x350) | 350              | 101.4 | -  | -  | 400 |

# Floor Drain (Granting)

## Type B (300x1000)

Anti-odour Channel Floor Drain 30x100 cm.

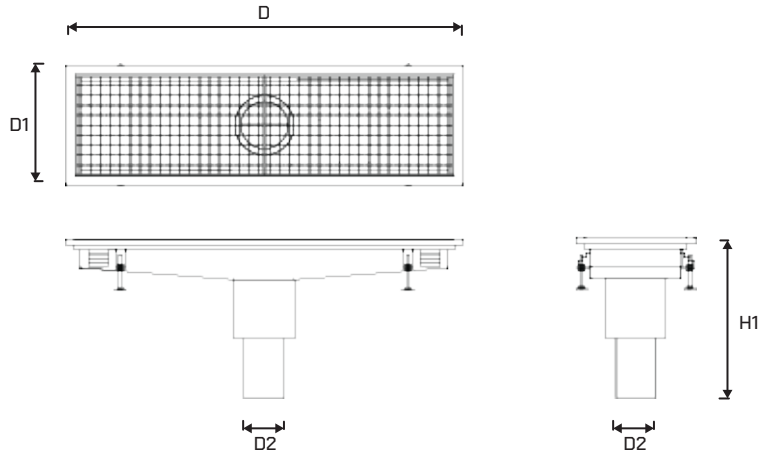
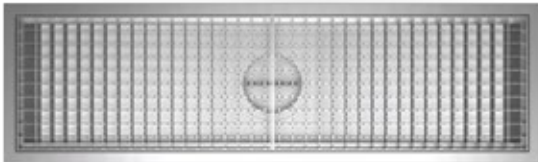
With Debris filter basket, Outlet 4"



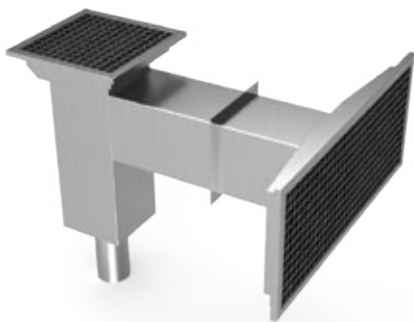
## Type B (350x1000)

Anti-odour Channel Floor Drain 35x100 cm.

With Debris filter basket, Outlet 4"



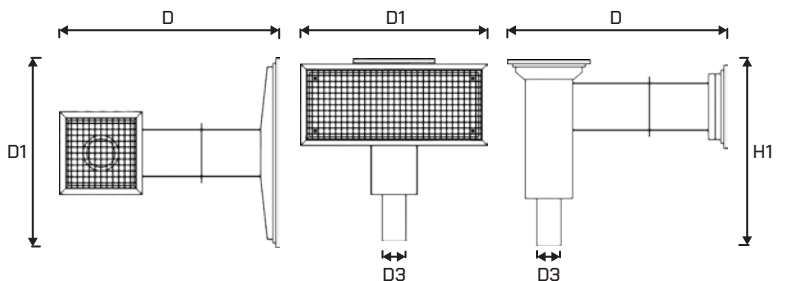
| MODEL             | DIMENSIONS (MM.) |     |       |    |     |
|-------------------|------------------|-----|-------|----|-----|
|                   | D                | D1  | D2    | D3 | H1  |
| Type B (300x1000) | 1000             | 300 | 101.4 | -  | 400 |
| Type B (350x1000) | 1000             | 350 | 101.4 | -  | 400 |



## Type B Ass. D m

Drainage channel for swimming pool

Outlet 4"



| MODEL           | DIMENSIONS (MM.) |     |       |    |     |
|-----------------|------------------|-----|-------|----|-----|
|                 | D                | D1  | D2    | D3 | H1  |
| Type B Ass. D m | 930              | 800 | 101.5 | -  | 780 |



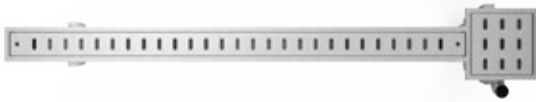
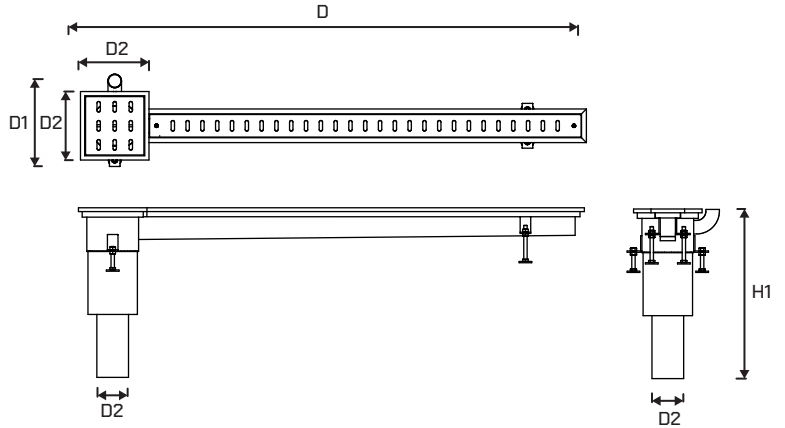


# Floor Drain (Granting)

## Type D-02

Anti-odour Channel Floor Drain With clarifier size 16x16 cm.

With Debris filter basket, Outlet 3"



| MODEL     | DIMENSIONS (MM.) |       |     |    |     |
|-----------|------------------|-------|-----|----|-----|
|           | D                | D1    | D2  | D3 | H1  |
| Type D-02 | 1200             | 218.2 | 162 | 75 | 400 |

## 3RJ15-80-BH-MN

Anti-odour Channel Assemble Floor Drain 15x80 cm.

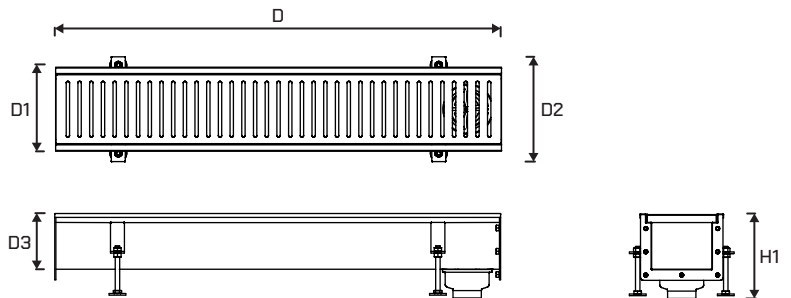
Outlet 2"



## 3RJ20-80-BH-MN

Channel Assemble Floor Drain 15x80 cm.

With direct connected



| MODEL          | DIMENSIONS (MM.) |     |     |     |       |
|----------------|------------------|-----|-----|-----|-------|
|                | D                | D1  | D2  | D3  | H1    |
| 3RJ15-80-BH-MN | 800              | 188 | 150 | 100 | 151.5 |
| 3RJ20-80-BH-MN | 800              | 238 | 200 | 100 | 151.5 |

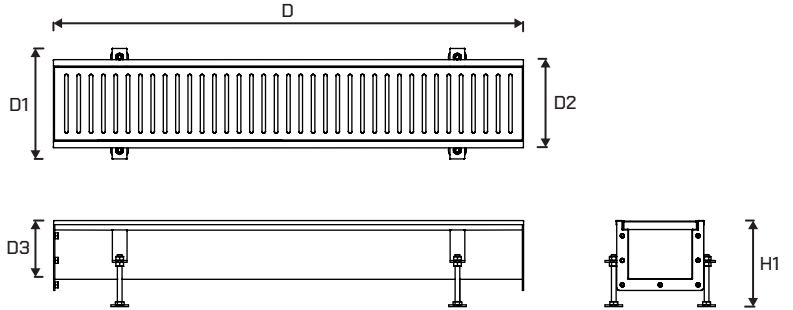
# Floor Drain (Granting)



## 3RJ15-80-B-MN

Channel Assemble Floor Drain 15x80 cm.

With direct connected



| MODEL         | DIMENSIONS (MM.) |     |     |     |       |
|---------------|------------------|-----|-----|-----|-------|
|               | D                | D1  | D2  | D3  | H1    |
| 3RJ15-80-B-MN | 800              | 188 | 150 | 100 | 151.5 |



## 3RJ15-C90-MN

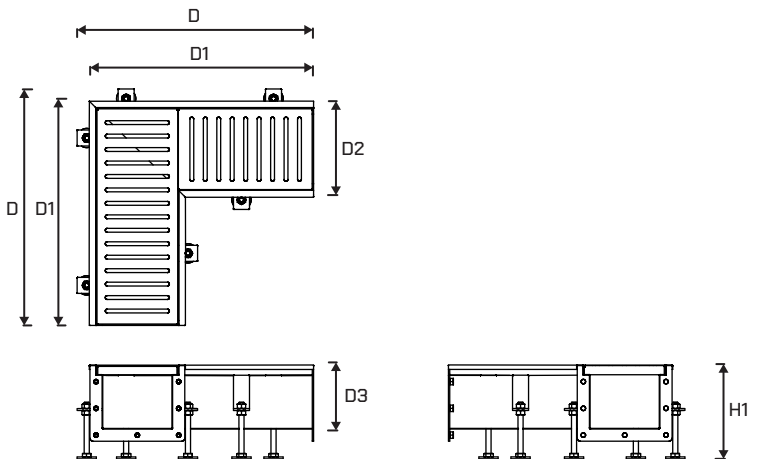
Channel Assemble Floor Drain 15x35 cm.

With corner 90°

## 3RJ20-C90-MN

Channel Assemble Floor Drain 20x35 cm.

With corner 90°



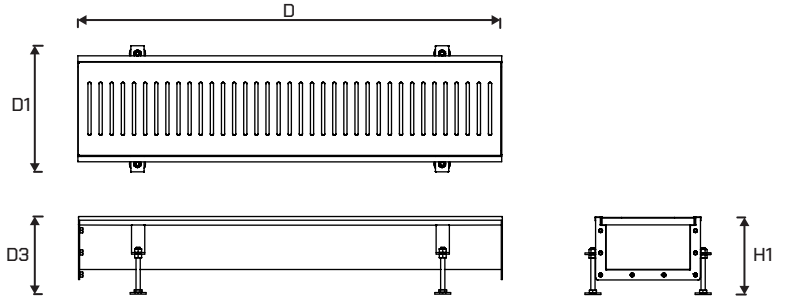
| MODEL          | DIMENSIONS (MM.) |     |     |     |       |
|----------------|------------------|-----|-----|-----|-------|
|                | D                | D1  | D2  | D3  | H1    |
| 3RJ15-80-BH-MN | 369              | 350 | 150 | 100 | 151.5 |
| 3RJ20-C90-MN   | 369              | 350 | 200 | 100 | 151.5 |

# Floor Drain (Granting)

## 3R20-80-BB-MN

Channel Assemble Floor Drain 20x80 cm.

With direct connected

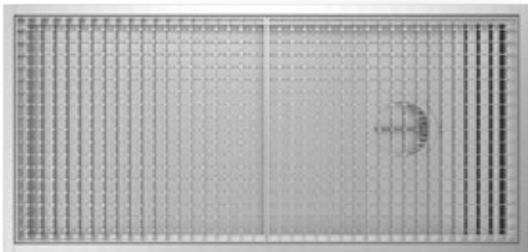
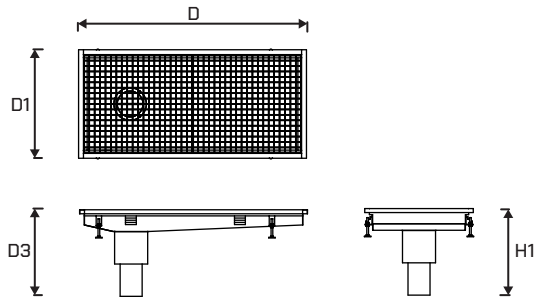


| MODEL         | DIMENSIONS (MM.) |     |     |     |       |
|---------------|------------------|-----|-----|-----|-------|
|               | D                | D1  | D2  | D3  | H1    |
| 3R20-80-BB-MN | 800              | 238 | 200 | 100 | 146.5 |

## Type C

Anti-odour Channel Floor Drain 50x100 cm.

With Debris filter basket, Outlet 4"



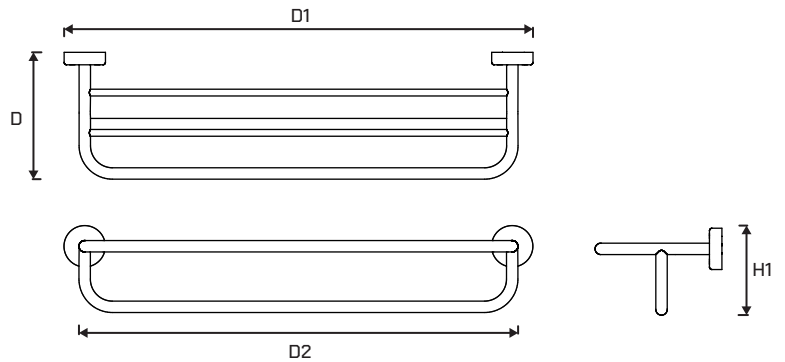
| MODEL  | DIMENSIONS (MM.) |     |       |    |     |
|--------|------------------|-----|-------|----|-----|
|        | D                | D1  | D2    | D3 | H1  |
| TYPE C | 1050             | 500 | 101.4 | -  | 400 |



# Bathroom Accessories

## 5305

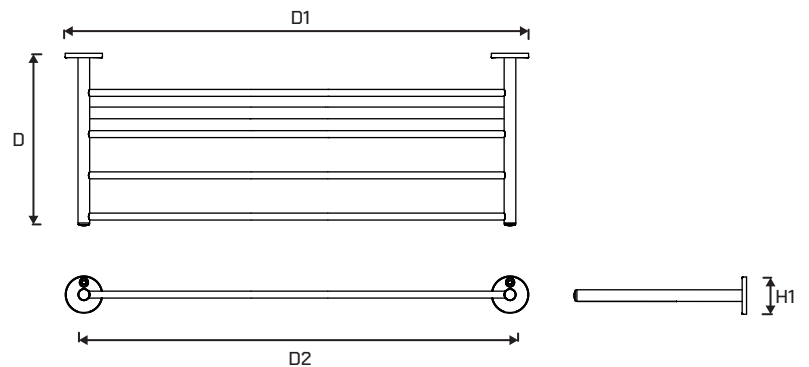
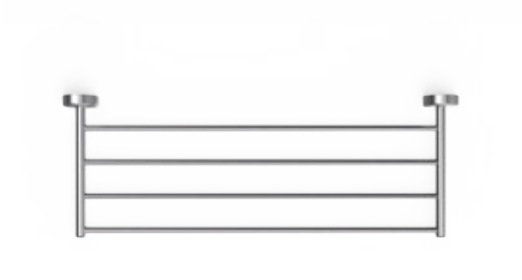
Towel Bar 60 cm.



| MODEL | DIMENSIONS (MM.) |     |     |    |     |
|-------|------------------|-----|-----|----|-----|
|       | D                | D1  | D2  | D3 | H1  |
| 5305  | 178              | 658 | 616 | -  | 122 |

## 5314-60

Towel Bar 60 cm.



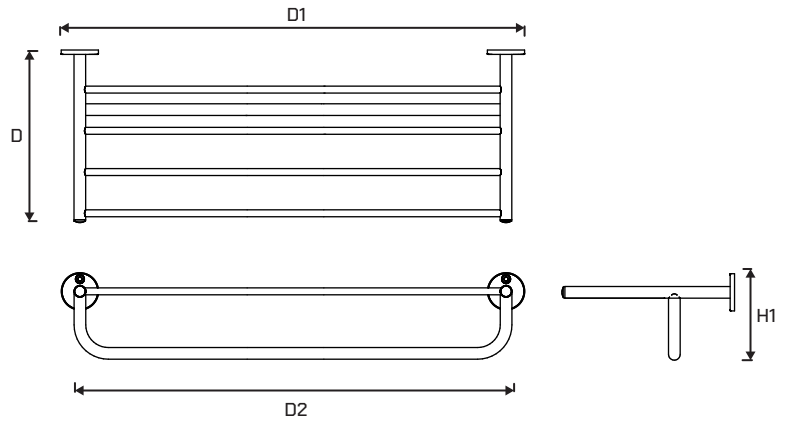
| MODEL   | DIMENSIONS (MM.) |     |     |    |    |
|---------|------------------|-----|-----|----|----|
|         | D                | D1  | D2  | D3 | H1 |
| 5314-60 | 236.5            | 650 | 600 | -  | 51 |

# อุปกรณ์ห้องน้ำ

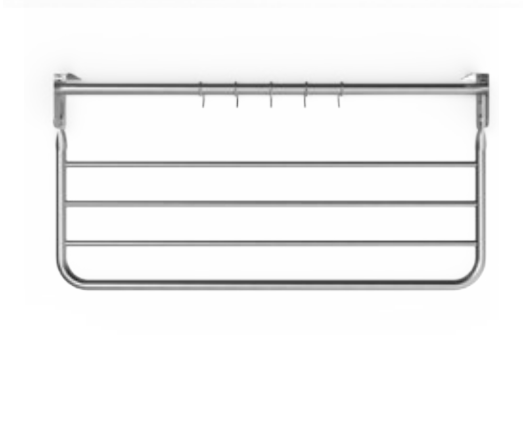


## 5314-60

Towel Bar 60 cm.



| MODEL   | DIMENSIONS (MM.) |     |     |    |       |
|---------|------------------|-----|-----|----|-------|
|         | D                | D1  | D2  | D3 | H1    |
| 5314-60 | 236.5            | 650 | 600 |    | 118.5 |

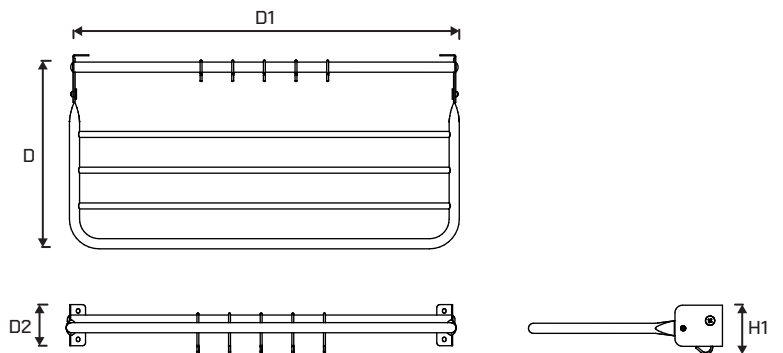


## 5801-60

Foldable Towel Bar 60 cm.

## 5801-80

Foldable Towel Bar 80 cm.

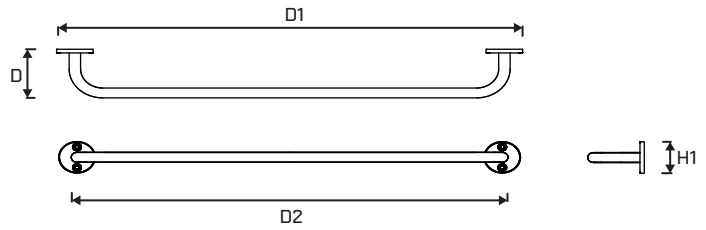


| MODEL   | DIMENSIONS (MM.) |     |    |    |      |
|---------|------------------|-----|----|----|------|
|         | D                | D1  | D2 | D3 | H1   |
| 5801-60 | 306.5            | 616 | 65 | -  | 77.6 |
| 5801-80 | 306.5            | 816 | 65 | -  | 77.6 |

# อุปกรณ์ห้องน้ำ

## A209

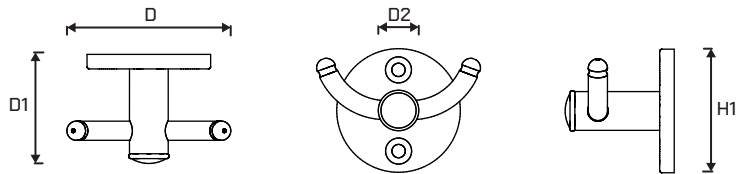
Towel Bar 60 cm. (Hairline finish)



| MODEL | DIMENSIONS (MM.) |     |     |    |    |
|-------|------------------|-----|-----|----|----|
|       | D                | D1  | D2  | D3 | H1 |
| A209  | 79               | 650 | 600 |    | 51 |

## A401

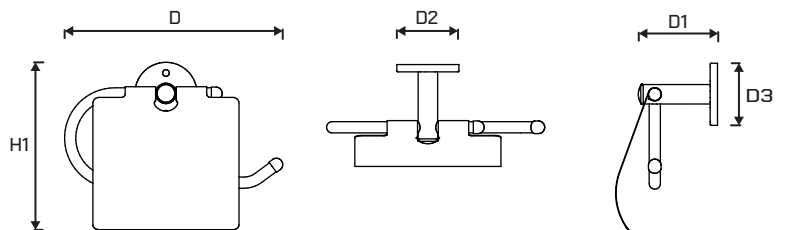
Hook (Hairline finish)



| MODEL | DIMENSIONS (MM.) |    |    |    |    |
|-------|------------------|----|----|----|----|
|       | D                | D1 | D2 | D3 | H1 |
| A401  | 67.6             | 45 | 16 |    | 51 |

## A404

Tissue holder with cover (Hairline finish)



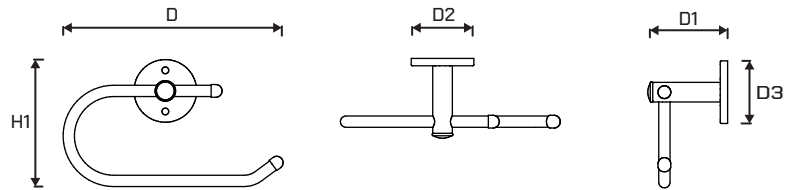
| MODEL | DIMENSIONS (MM.) |      |    |    |       |
|-------|------------------|------|----|----|-------|
|       | D                | D1   | D2 | D3 | H1    |
| A404  | 179              | 83.7 | 51 | 51 | 137.4 |

# อุปกรณ์ห้องน้ำ



## A405

Tissue holder (Hairline finish)

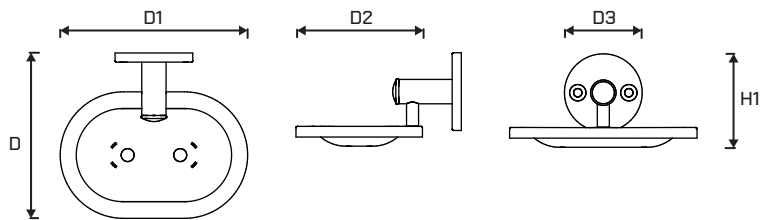


| MODEL | DIMENSIONS (MM.) |    |    |    |       |
|-------|------------------|----|----|----|-------|
|       | D                | D1 | D2 | D3 | H1    |
| A405  | 179              | 65 | 51 | 51 | 103.4 |



## A406

Soap holder (Hairline finish)

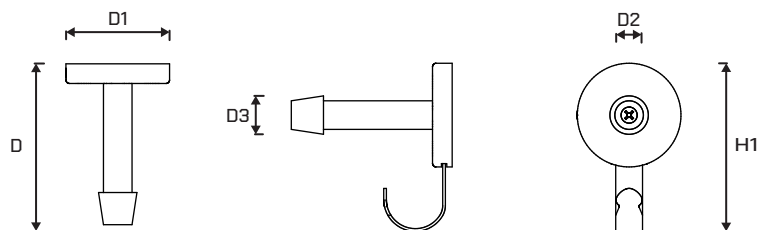


| MODEL | DIMENSIONS (MM.) |     |    |    |      |
|-------|------------------|-----|----|----|------|
|       | D                | D1  | D2 | D3 | H1   |
| A406  | 108.5            | 123 | 83 | 51 | 61.3 |



## B202

Hook with door stopper (Hairline finish)



| MODEL | DIMENSIONS (MM.) |    |    |      |    |
|-------|------------------|----|----|------|----|
|       | D                | D1 | D2 | D3   | H1 |
| B202  | 90               | 58 | 15 | 21.5 | 94 |

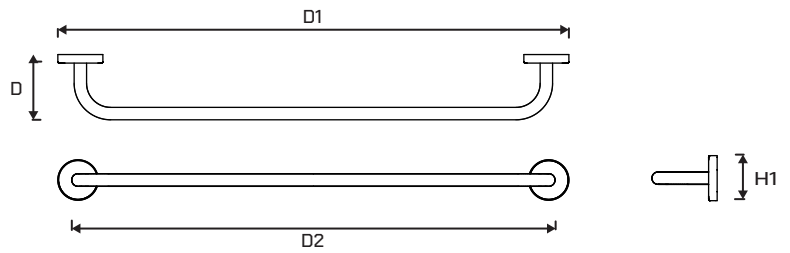


# อุปกรณ์ห้องน้ำ



## B209

Towel Bar 60 cm. (Hairline finish)

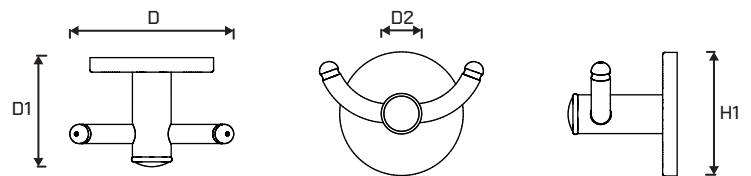


| MODEL | DIMENSIONS (MM.) |     |     |    |    |
|-------|------------------|-----|-----|----|----|
|       | D                | D1  | D2  | D3 | H1 |
| B209  | 84               | 658 | 616 | -  | 58 |



## B401

Hook (Hairline finish)

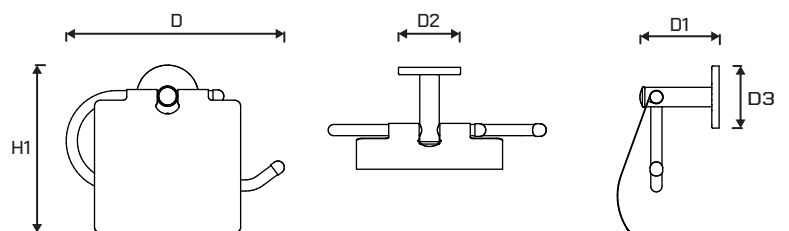


| MODEL | DIMENSIONS (MM.) |      |    |    |    |
|-------|------------------|------|----|----|----|
|       | D                | D1   | D2 | D3 | H1 |
| A406  | 67.6             | 50.1 | 16 | -  | 58 |

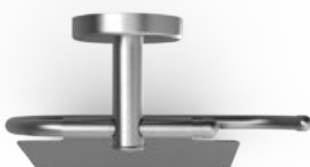


## B404

Tissue holder with cover (Hairline finish)



| MODEL | DIMENSIONS (MM.) |      |    |    |       |
|-------|------------------|------|----|----|-------|
|       | D                | D1   | D2 | D3 | H1    |
| B404  | 181.2            | 89.2 | 58 | -  | 140.7 |

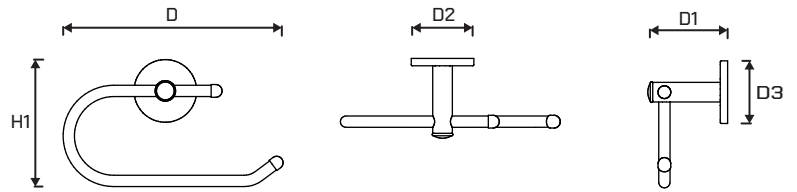


# อุปกรณ์ห้องน้ำ



## B405

Tissue holder (Hairline finish)

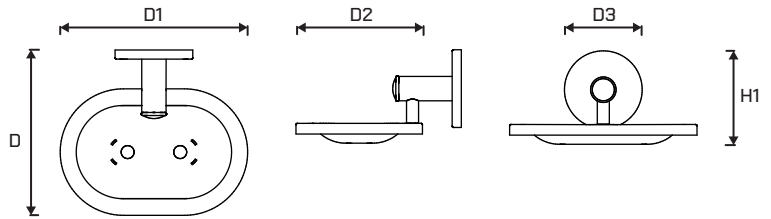


| MODEL | DIMENSIONS (MM.) |      |    |    |       |
|-------|------------------|------|----|----|-------|
|       | D                | D1   | D2 | D3 | H1    |
| B405  | 181              | 70.1 | 58 | -  | 107.4 |



## B406

Soap holder (Hairline finish)

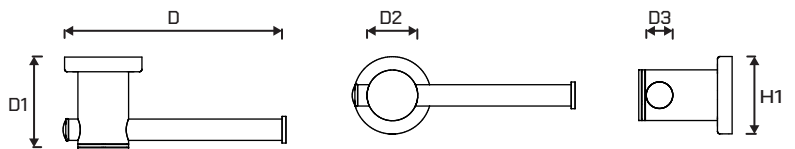


| MODEL | DIMENSIONS (MM.) |     |    |    |      |
|-------|------------------|-----|----|----|------|
|       | D                | D1  | D2 | D3 | H1   |
| B406  | 113.5            | 123 | 83 | 58 | 61.3 |



## B202

Tissue holder



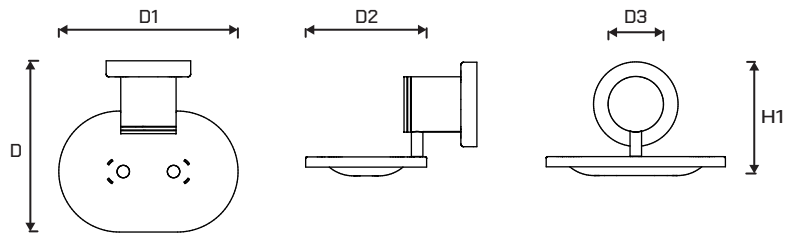
| MODEL | DIMENSIONS (MM.) |    |    |    |    |
|-------|------------------|----|----|----|----|
|       | D                | D1 | D2 | D3 | H1 |
| B202  | 167.1            | 70 | 38 | 20 | 58 |

# อุปกรณ์ห้องน้ำ



## B606 (065) ถาดสบู่

Soap holder

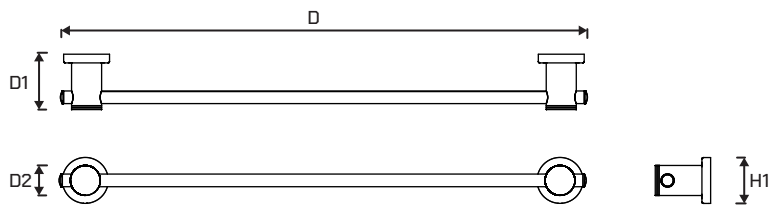


| MODEL      | DIMENSIONS (MM.) |     |    |    |    |
|------------|------------------|-----|----|----|----|
|            | D                | D1  | D2 | D3 | H1 |
| B606 (065) | 117.5            | 123 | 83 | 58 | 78 |



## B609 (062)

Towel Bar (Hairline finish)

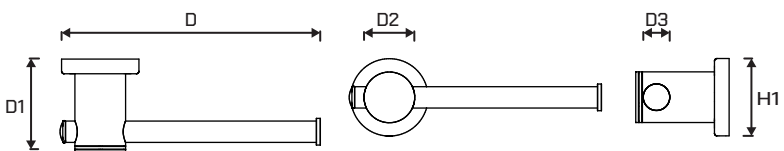


| MODEL      | DIMENSIONS (MM.) |    |    |    |    |
|------------|------------------|----|----|----|----|
|            | D                | D1 | D2 | D3 | H1 |
| B609 (062) | 666              | 70 | 38 | -  | 58 |



## B609-25

Towel Bar (Hairline finish)



| MODEL   | DIMENSIONS (MM.) |    |    |    |    |
|---------|------------------|----|----|----|----|
|         | D                | D1 | D2 | D3 | H1 |
| B609-25 | 167.1            | 70 | 38 | 20 | 58 |



# Handicare



## HD32L060

Handrail  $\Phi$  32 mm. Length 60 cm.

## HD32L080

Handrail  $\Phi$  32 mm. Length 80 cm.

## HD32L090

Handrail  $\Phi$  32 mm. Length 90 cm.

## HD35L060

Handrail  $\Phi$  35 mm. Length 60 cm.

## HD35L080

Handrail  $\Phi$  35 mm. Length 80 cm.

## HD35L100

Handrail  $\Phi$  35 mm. Length 100 cm.



| MODEL    | DIMENSIONS (MM.) |       |       |    |    |
|----------|------------------|-------|-------|----|----|
|          | D                | D1    | D2    | D3 | H1 |
| HD32L060 | 700              | 631.7 | 106   | -  | 70 |
| HD32L080 | 870              | 831.7 | 106   | -  | 70 |
| HD32L090 | 970              | 931.8 | 106   | -  | 70 |
| HD35L060 | 700              | 635   | 107.5 | -  | 70 |
| HD35L080 | 867              | 835   | 107.5 | -  | 70 |
| HD35L100 | 1067             | 103.5 | 107.5 | -  | 70 |

# ราวทรงตัว

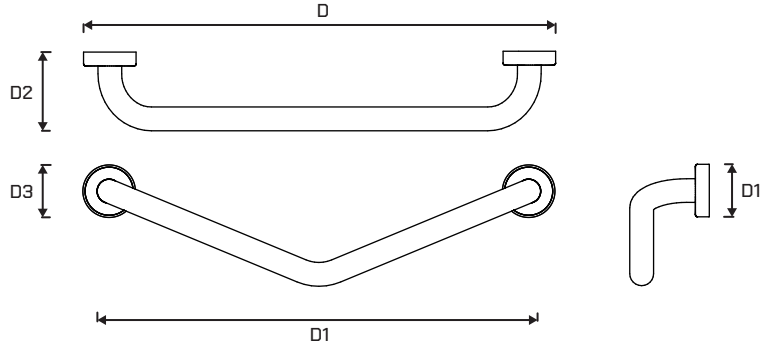


## HD32V030

Handrail  $\Phi$  32 mm. V-shape 30 cm.

## HD35V030

Handrail  $\Phi$  35 mm. V-shape 30 cm.

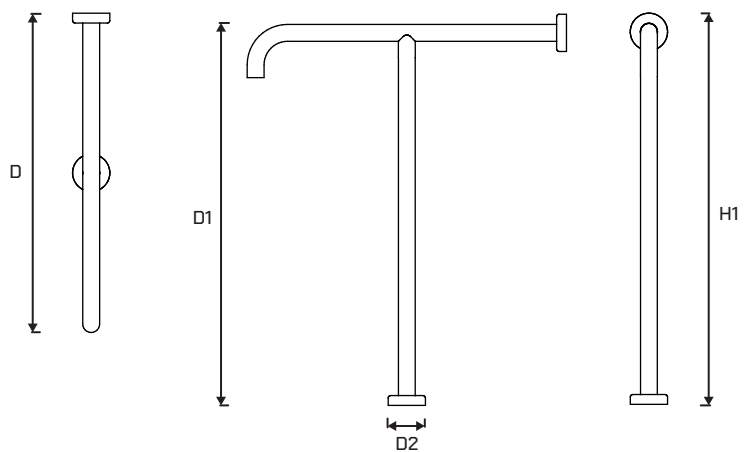


| MODEL    | DIMENSIONS (MM.) |       |       |    |       |
|----------|------------------|-------|-------|----|-------|
|          | D                | D1    | D2    | D3 | H1    |
| HD32V030 | 629              | 590.6 | 104.8 | 70 | 161.7 |
| HD35V030 | 629              | 593.8 | 106.5 | 70 | 163.3 |



## HDH 32-T

Handrail  $\Phi$  32 mm. T-shape



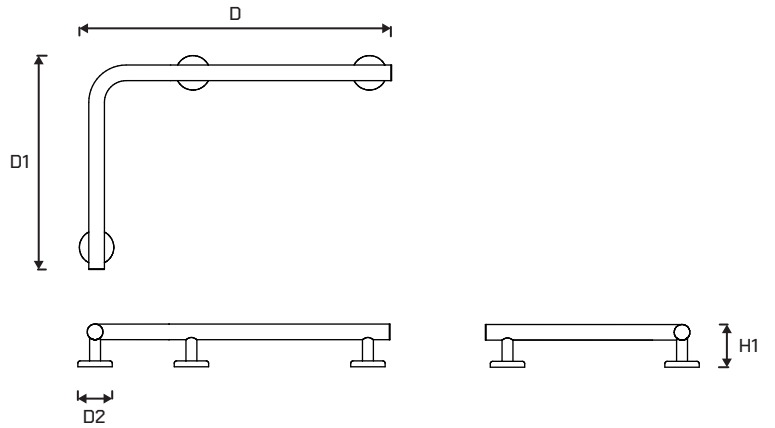
| MODEL    | DIMENSIONS (MM.) |       |    |    |     |
|----------|------------------|-------|----|----|-----|
|          | D                | D1    | D2 | D3 | H1  |
| HDH 32-T | 600              | 715.9 | 70 | -  | 735 |

# ราวทรงตัว



## HDH32L

Handrail  $\Phi$  32 mm. L-shape

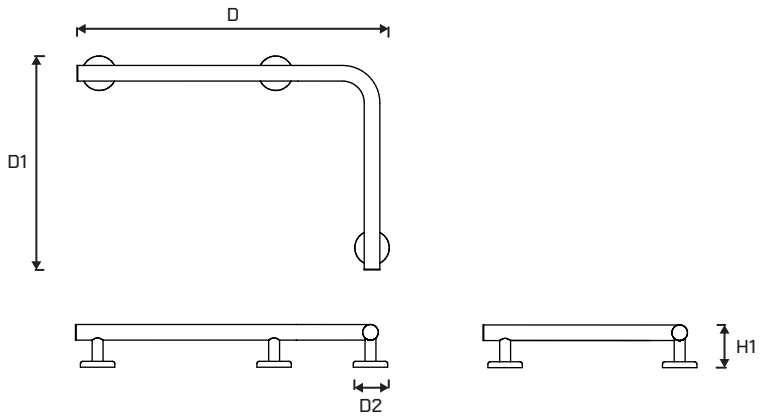


| MODEL  | DIMENSIONS (MM.) |       |    |    |      |
|--------|------------------|-------|----|----|------|
|        | D                | D1    | D2 | D3 | H1   |
| HDH32L | 615.9            | 415.9 | 70 | -  | 86.8 |



## HDH32R

Handrail  $\Phi$  32 mm. R-shape



| MODEL  | DIMENSIONS (MM.) |       |    |    |      |
|--------|------------------|-------|----|----|------|
|        | D                | D1    | D2 | D3 | H1   |
| HDH32R | 615.9            | 415.9 | 70 | -  | 86.8 |

# ราวทรงตัว



## HDH 32 L50

Handrail  $\Phi$  32 mm. Length 50 cm.

## HDH 32 L60

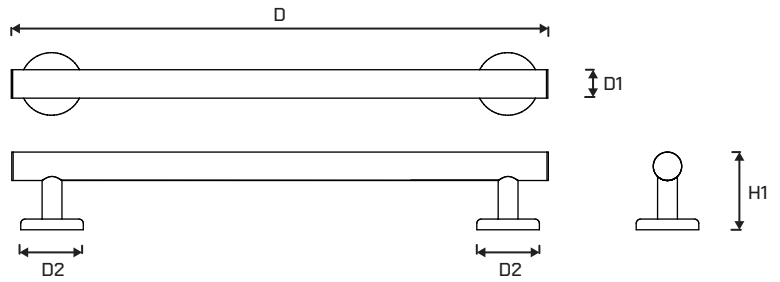
Handrail  $\Phi$  32 mm. Length 60 cm.

## HDH 32 L80

Handrail  $\Phi$  32 mm. Length 80 cm.

## HDH 32 L100

Handrail  $\Phi$  32 mm. Length 100 cm.

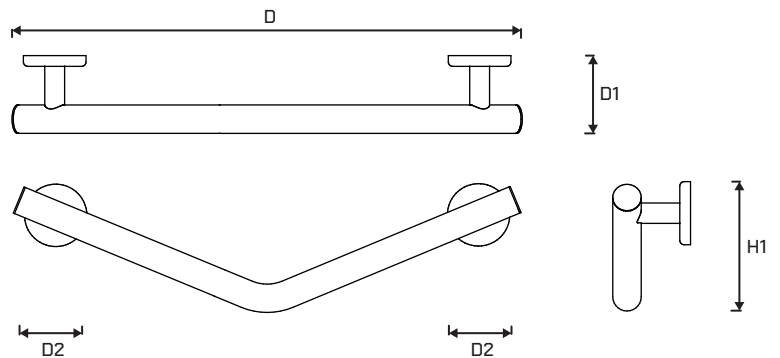


| MODEL       | DIMENSIONS (MM.) |      |    |    |      |
|-------------|------------------|------|----|----|------|
|             | D                | D1   | D2 | D3 | H1   |
| HDH 32 L50  | 500              | 31.8 | 70 | -  | 86.9 |
| HDH 32 L60  | 600              | 31.8 | 70 | -  | 86.9 |
| HDH 32 L80  | 800              | 31.8 | 70 | -  | 86.9 |
| HDH 32 L100 | 1000             | 31.8 | 0  | -  | 86.9 |



## HDH 32 V30

Handrail  $\Phi$  32 mm. V-shape 30 cm.



| MODEL      | DIMENSIONS (MM.) |      |    |    |       |
|------------|------------------|------|----|----|-------|
|            | D                | D1   | D2 | D3 | H1    |
| HDH 32 V30 | 570              | 86.9 | 70 | -  | 144.5 |



# ราวทรงตัว

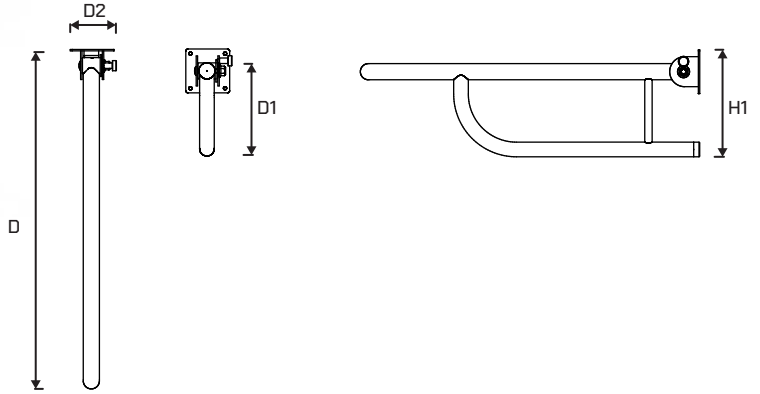


## Swing 32H60-P

Swing Handrail Length 60 cm.

## Swing 32H70-P

Swing Handrail Length 70 cm.



| MODEL         | DIMENSIONS (MM.) |       |     |    |       |
|---------------|------------------|-------|-----|----|-------|
|               | D                | D1    | D2  | D3 | H1    |
| Swing 32H60-P | 635              | 201.9 | 100 | -  | 231.8 |
| Swing 32H70-P | 735              | 201.9 | 100 | -  | 231.8 |

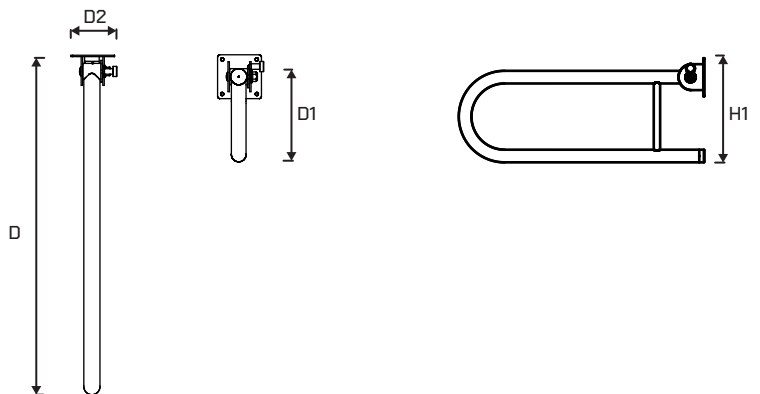


## Swing 32U60-P

Swing Handrail U-shape 60 cm.

## Swing 32U70-P

Swing Handrail U-shape 70 cm.

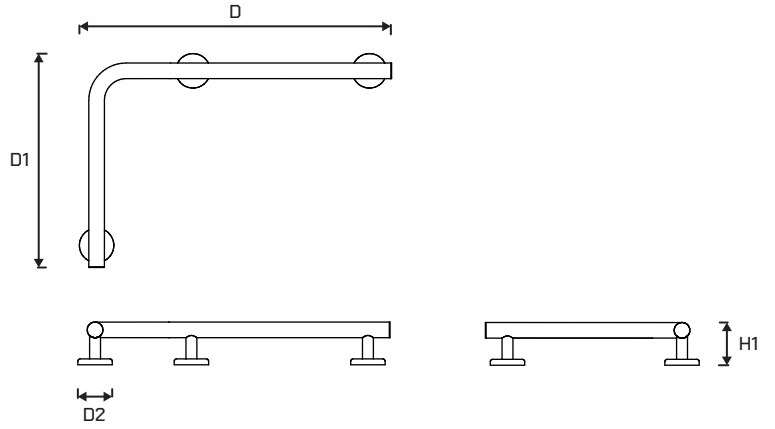


| MODEL         | DIMENSIONS (MM.) |       |     |    |     |
|---------------|------------------|-------|-----|----|-----|
|               | D                | D1    | D2  | D3 | H1  |
| Swing 32U60-P | 616              | 229.5 | 100 | -  | 261 |
| Swing 32U70-P | 716              | 229.5 | 100 | -  | 261 |

# ราวทรงตัว

## HDC 32L

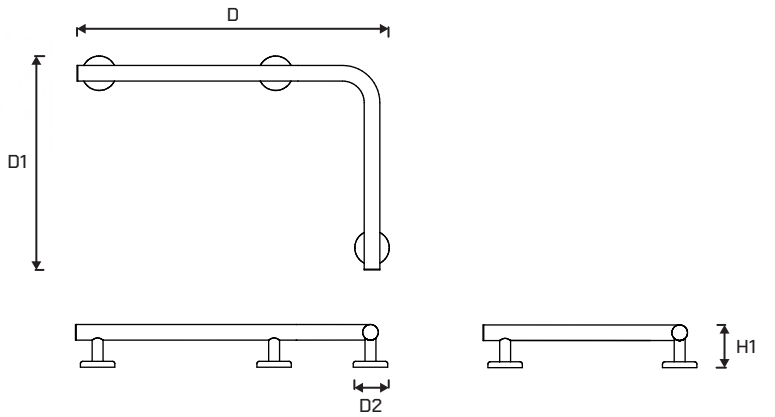
Handrail  $\Phi$  32 mm. L-shape for left side (White power coated color)



| MODEL   | DIMENSIONS (MM.) |       |    |    |      |
|---------|------------------|-------|----|----|------|
|         | D                | D1    | D2 | D3 | H1   |
| HDC 32L | 615.9            | 415.9 | 70 | -  | 86.8 |

## HDC 32R

Handrail  $\Phi$  32 mm. R-shape for left side (White power coated color)



| MODEL   | DIMENSIONS (MM.) |       |    |    |      |
|---------|------------------|-------|----|----|------|
|         | D                | D1    | D2 | D3 | H1   |
| HDC 32R | 615.9            | 415.9 | 70 | -  | 86.8 |

# ราวทรงตัว



## HDC 32 L50

Handrail  $\Phi$  32 mm. Length 50 cm. (White power coated color)

## HDC 32 L60

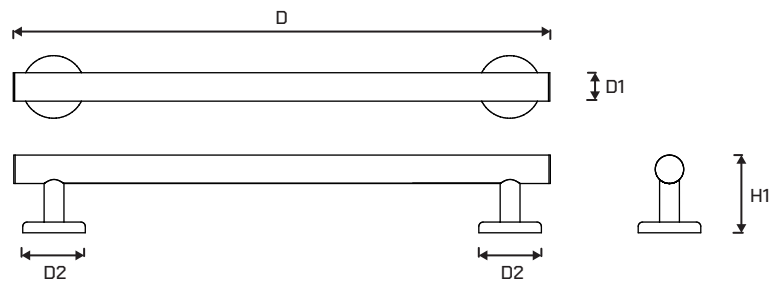
Handrail  $\Phi$  32 mm. Length 60 cm. (White power coated color)

## HDC 32 L80

Handrail  $\Phi$  32 mm. Length 80 cm. (White power coated color)

## HDC 32 L100

Handrail  $\Phi$  32 mm. Length 100 cm. (White power coated color)

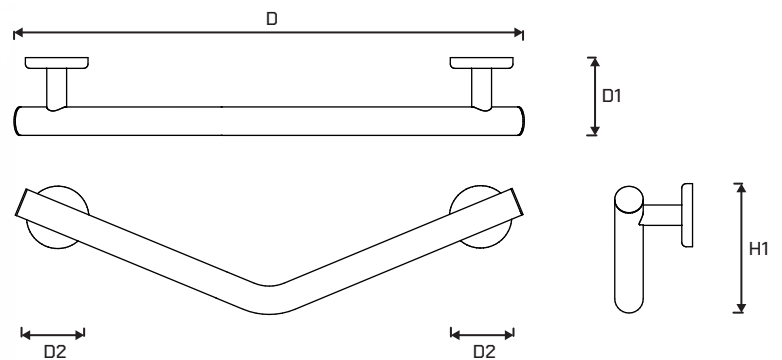


| MODEL       | DIMENSIONS (MM.) |      |    |    |      |
|-------------|------------------|------|----|----|------|
|             | D                | D1   | D2 | D3 | H1   |
| HDH 32 L50  | 500              | 31.8 | 70 | -  | 86.9 |
| HDH 32 L60  | 600              | 31.8 | 70 | -  | 86.9 |
| HDH 32 L80  | 800              | 31.8 | 70 | -  | 86.9 |
| HDH 32 L100 | 1000             | 31.8 | 0  | -  | 86.9 |



## HDC 32 V30

ราวทรงตัวรูปตัววี  $\Phi$  32 มม ทรง V30 ทำสีขาวพาวเดอร์โค้ทด้าน



| MODEL      | DIMENSIONS (MM.) |      |    |    |       |
|------------|------------------|------|----|----|-------|
|            | D                | D1   | D2 | D3 | H1    |
| HDH 32 V30 | 570              | 86.9 | 70 | -  | 144.5 |

# ราวทรงตัว

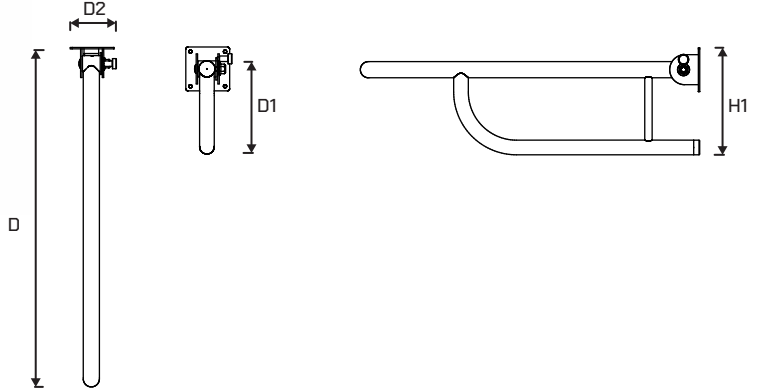


## Swing 32H60-PC

Swing Handrail H-shape 60 cm. [White power coated color]

## Swing 32H70-PC

Swing Handrail H-shape 60 cm. [White power coated color]



| MODEL         | DIMENSIONS (MM.) |       |     |    |       |
|---------------|------------------|-------|-----|----|-------|
|               | D                | D1    | D2  | D3 | H1    |
| Swing 32H60-P | 635              | 201.9 | 100 | -  | 231.8 |
| Swing 32H70-P | 735              | 201.9 | 100 | -  | 231.8 |

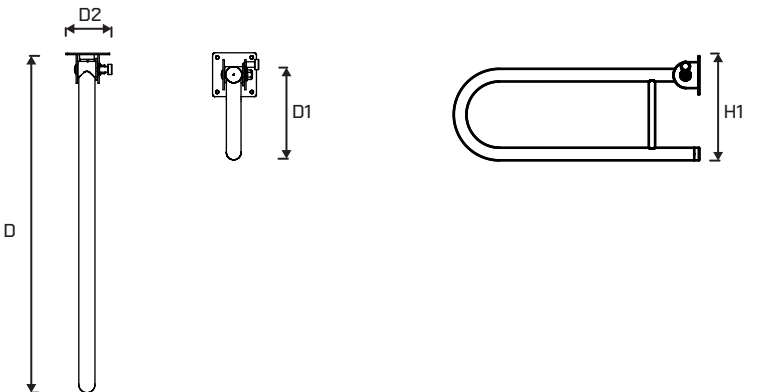


## Swing 32U60-PC

Swing Handrail U-shape 60 cm. [White power coated color]

## Swing 32U70-PC

Swing Handrail U-shape 70 cm. [White power coated color]



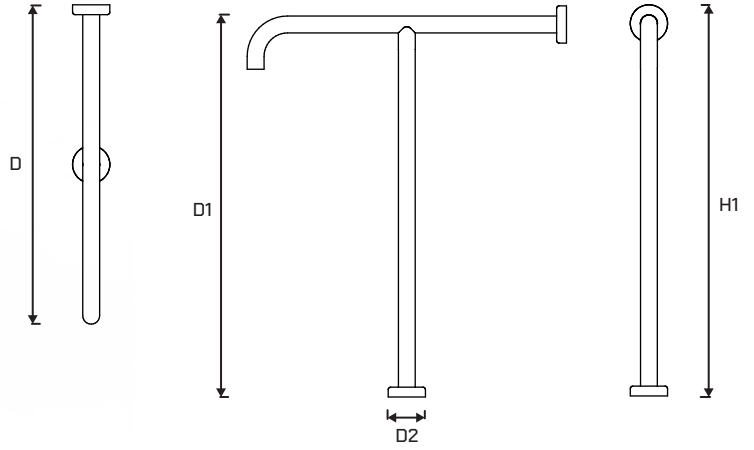
| MODEL         | DIMENSIONS (MM.) |       |     |    |     |
|---------------|------------------|-------|-----|----|-----|
|               | D                | D1    | D2  | D3 | H1  |
| Swing 32U60-P | 616              | 229.5 | 100 | -  | 261 |
| Swing 32U70-P | 716              | 229.5 | 100 | -  | 261 |

# ราวทรงตัว



## HDC 32-T

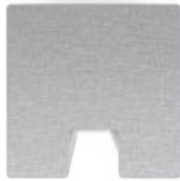
Handrail  $\Phi$  32 mm. T-shape (White power coated color)



| MODEL    | DIMENSIONS (MM.) |       |    |    |     |
|----------|------------------|-------|----|----|-----|
|          | D                | D1    | D2 | D3 | H1  |
| HDC 32-T | 600              | 715.9 | 70 | -  | 735 |

# Glass Panel Pillar

# เสากระจก



## NEO-C 8x1000

Square Glass Panel Pillar 50x50 mm. H1000 mm. with single groove 8 mm.

## NEO-C 14x600

Square Glass Panel Pillar 50x50 mm. H600 mm. with single groove 14 mm.

## NEO-C 14x700

Square Glass Panel Pillar 50x50 mm. H700 mm. with single groove 14 mm.

## NEO-C 14x800

Square Glass Panel Pillar 50x50 mm. H800 mm. with single groove 14 mm.

## NEO-C 14x900

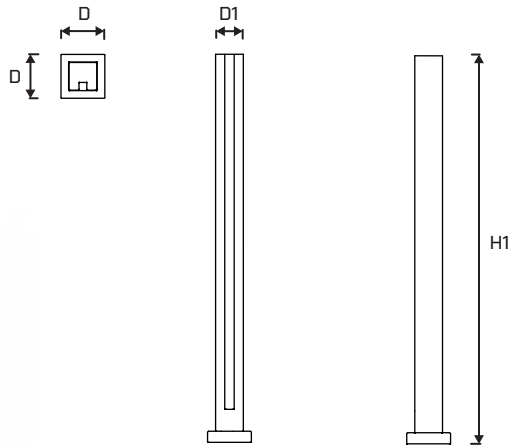
Square Glass Panel Pillar 50x50 mm. H900 mm. with single groove 14 mm.

## NEO-C 19x900

Square Glass Panel Pillar 50x50 mm. H900 mm. with single groove 19 mm.

## NEO-C 19x1000

Square Glass Panel Pillar 50x50 mm. H900 mm. with single groove 19 mm.



| MODEL         | DIMENSIONS (MM.) |      |    |    |      |
|---------------|------------------|------|----|----|------|
|               | D                | D1   | D2 | D3 | H1   |
| NEO-C 8x1000  | 79               | 51.5 | -  | -  | 1000 |
| NEO-C 14x600  | 79               | 50   | -  | -  | 600  |
| NEO-C 14x700  | 79               | 50   | -  | -  | 800  |
| NEO-C 14x800  | 79               | 50   | -  | -  | 800  |
| NEO-C 14x900  | 79               | 50   | -  | -  | 900  |
| NEO-C 19x900  | 156              | 100  | -  | -  | 900  |
| NEO-C 19x1000 | 156              | 100  | -  | -  | 1000 |

# เสากระจก



## NEO-D 8x1000

Center Glass Panel Pillar 50x50 mm. H1000 mm. with double groove 8 mm.

## NEO-D 14x600

Center Glass Panel Pillar 50x50 mm. H600 mm. with double groove 14 mm.

## NEO-D 14x700

Center Glass Panel Pillar 50x50 mm. H700 mm. with double groove 14 mm.

## NEO-D 14x800

Center Glass Panel Pillar 50x50 mm. H800 mm. with double groove 14 mm.

## NEO-D 14x900

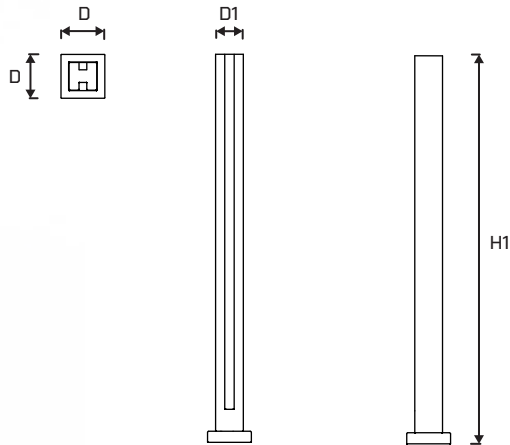
Center Glass Panel Pillar 50x50 mm. H900 mm. with double groove 14 mm.

## NEO-D 19x900

Center Glass Panel Pillar 50x50 mm. H900 mm. with double groove 19 mm.

## NEO-D 19x1000

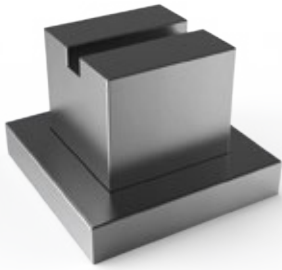
Center Glass Panel Pillar 50x50 mm. H1000 mm. with double groove 19 mm.



| MODEL         | DIMENSIONS (MM.) |      |    |    |      |
|---------------|------------------|------|----|----|------|
|               | D                | D1   | D2 | D3 | H1   |
| NEO-D 8x1000  | 79               | 51.5 | -  | -  | 1000 |
| NEO-D 14x600  | 79               | 50   | -  | -  | 600  |
| NEO-D 14x700  | 79               | 50   | -  | -  | 800  |
| NEO-D 14x800  | 79               | 50   | -  | -  | 800  |
| NEO-D 14x900  | 79               | 50   | -  | -  | 900  |
| NEO-D 19x900  | 156              | 100  | -  | -  | 900  |
| NEO-D 19x1000 | 156              | 100  | -  | -  | 1000 |

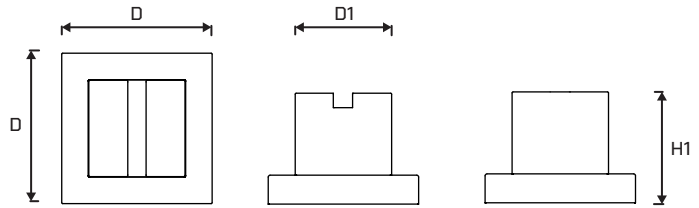


# เสากระจก

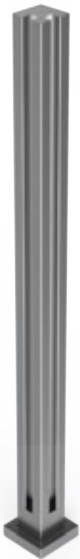


## NEO-L 19x115

Square Glass Panel Holder 19x115 mm.



| MODEL        | DIMENSIONS (MM.) |     |    |    |     |
|--------------|------------------|-----|----|----|-----|
|              | D                | D1  | D2 | D3 | H1  |
| NEO-L 19x115 | 156              | 100 | -  | -  | 115 |



## NEO-S 8x1000

Corner Glass Panel Pillar 50x50 mm. H1000 mm. 90° with double groove 8 mm.

## NEO-S 14x600

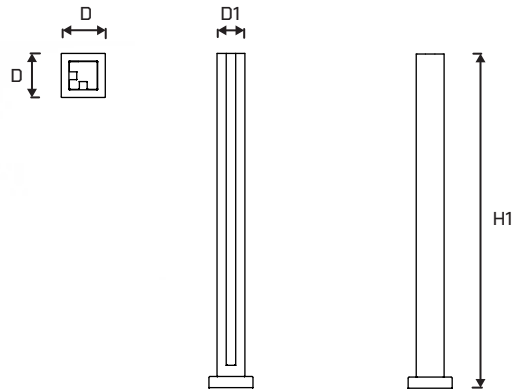
Corner Glass Panel Pillar 50x50 mm. H600 mm. 90° with double groove 14 mm.

## NEO-S 14x700

Corner Glass Panel Pillar 50x50 mm. H700 mm. 90° with double groove 14 mm.

## NEO-S 19x1000

Corner Glass Panel Pillar 50x50 mm. H1000 mm. 90° with double groove 19 mm.



| MODEL         | DIMENSIONS (MM.) |      |    |    |      |
|---------------|------------------|------|----|----|------|
|               | D                | D1   | D2 | D3 | H1   |
| NEO-S 8x1000  | 79               | 51.5 | -  | -  | 1000 |
| NEO-S 14x600  | 79               | 50   | -  | -  | 600  |
| NEO-S 14x700  | 79               | 50   | -  | -  | 700  |
| NEO-S 19x1000 | 156              | 100  | -  | -  | 1000 |

# เสากระจก

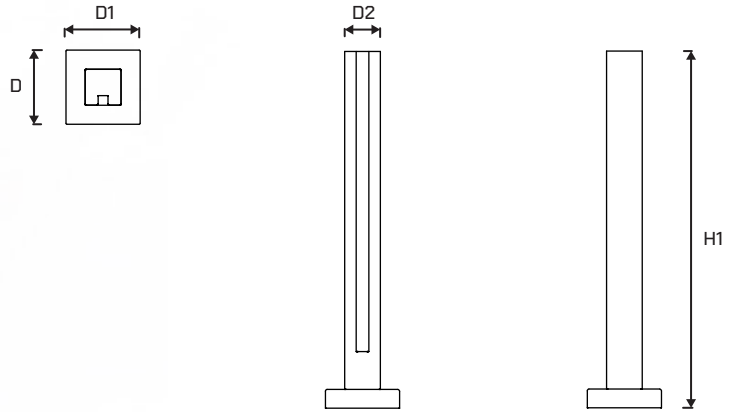


## NEO 38 - C 8x1000

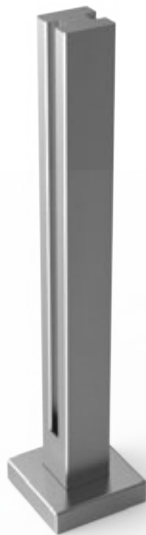
Square Glass Panel Pillar 38x38 mm. H1000 mm. with single groove 8 mm.

## NEO 38 - C 10x380

Square Glass Panel Pillar 38x38 mm. H380 mm. with single groove 10 mm.



| MODEL             | DIMENSIONS (MM.) |    |    |    |      |
|-------------------|------------------|----|----|----|------|
|                   | D                | D1 | D2 | D3 | H1   |
| Neo 38 - C 8x1000 | 66               | 54 | 38 | -  | 1000 |
| Neo 38 - C 10x380 | 79               | 79 | 38 | -  | 380  |

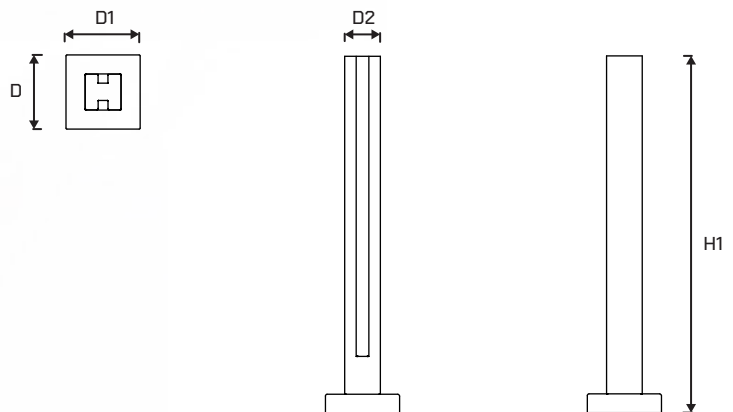


## NEO 38 - D 8x1000

Center Glass Panel Pillar 38x38 mm. H1000 mm. with double groove 8 mm.

## NEO 38 - D 10x380

Center Glass Panel Pillar 38x38 mm. H380 mm. with double groove 10 mm.



| MODEL             | DIMENSIONS (MM.) |    |    |    |      |
|-------------------|------------------|----|----|----|------|
|                   | D                | D1 | D2 | D3 | H1   |
| Neo 38 - C 8x1000 | 66               | 54 | 38 | -  | 1000 |
| Neo 38 - C 10x380 | 79               | 79 | 38 | -  | 380  |

# เสากระจก

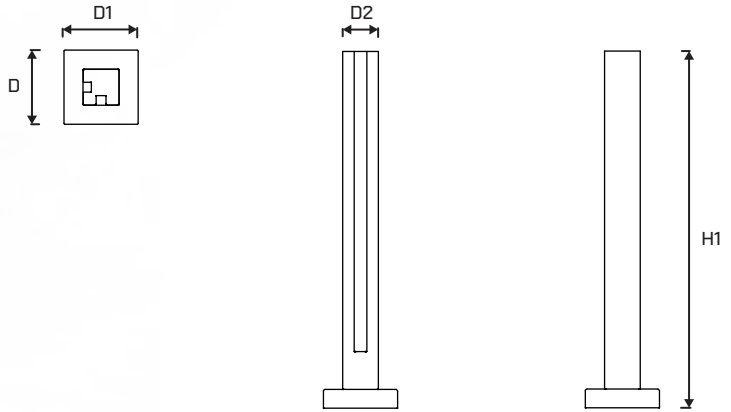


## NEO 38 - S 8x1000

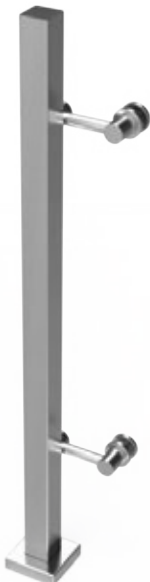
Side Glass Panel Pillar 38x38 mm. H1000 mm. 90° with double groove 8 mm.

## NEO 38 - S 10x380

Side Glass Panel Pillar 38x38 mm. H380 mm. 90° with double groove 10 mm

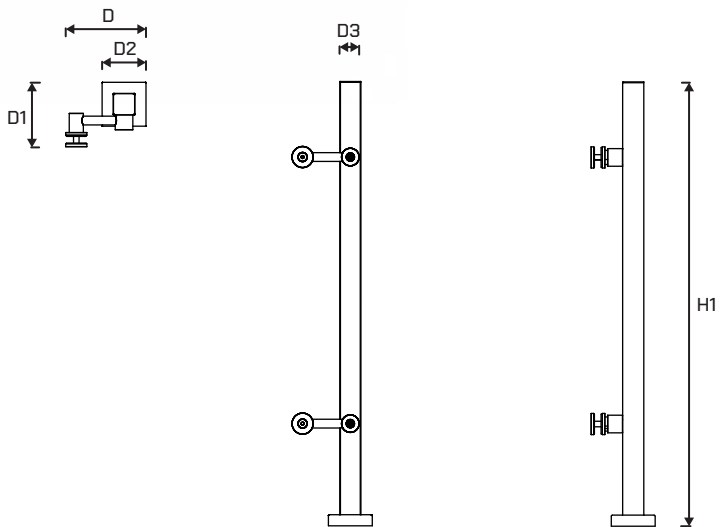


| MODEL             | DIMENSIONS (MM.) |    |    |    |      |
|-------------------|------------------|----|----|----|------|
|                   | D                | D1 | D2 | D3 | H1   |
| Neo 38 - S 8x1000 | 66               | 54 | 38 | -  | 1000 |
| Neo 38 - S 10x380 | 79               | 79 | 38 | -  | 380  |



## NEO38x800-1

Glass Panel Pillar 38x38 mm. H800 mm. with single arm



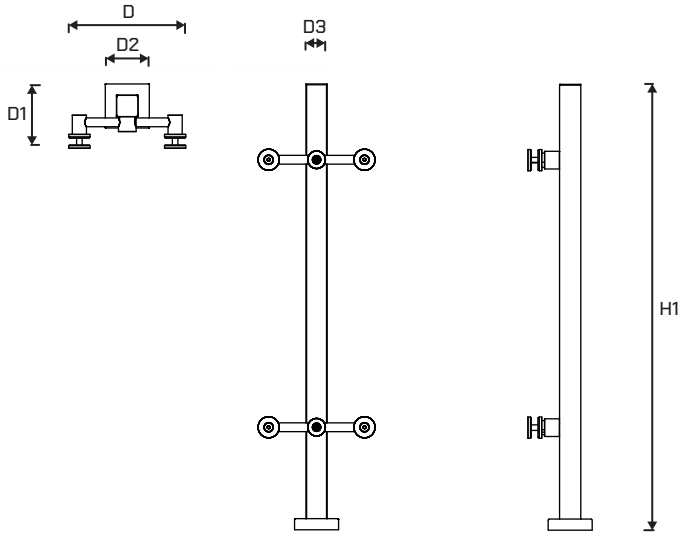
| MODEL             | DIMENSIONS (MM.) |       |    |    |     |
|-------------------|------------------|-------|----|----|-----|
|                   | D                | D1    | D2 | D3 | H1  |
| Neo 38 - S 8x1000 | 114.5            | 115.4 | 79 | 38 | 800 |

# เสากระจก



## NEO38x800-2

Glass Panel Pillar 38x38 mm. H800 mm. with double arms

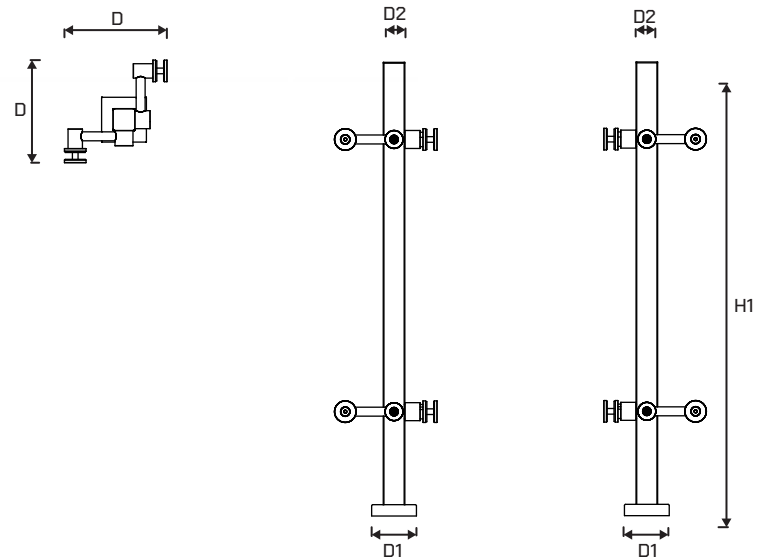


| MODEL       | DIMENSIONS (MM.) |       |    |    |     |
|-------------|------------------|-------|----|----|-----|
|             | D                | D1    | D2 | D3 | H1  |
| Neo38x800-2 | 210              | 115.4 | 79 | 38 | 800 |



## NEO38x800-3

Glass Panel Pillar 38x38 mm. H800 mm. with arms for corner



| MODEL             | DIMENSIONS (MM.) |    |    |    |     |
|-------------------|------------------|----|----|----|-----|
|                   | D                | D1 | D2 | D3 | H1  |
| Neo 38 - S 8x1000 | 180              | 79 | 38 | -  | 800 |





## CONTACT US

### MOONLER INDUSTRIAL CO., LTD.

99/60 Sannameng, Sansai,

Chiang Mai, Thailand

Tel : +6681 791 9661

E-mail : [contact@moonlerindustrial.com](mailto:contact@moonlerindustrial.com)

Website : [www.moonlerindustrial.com](http://www.moonlerindustrial.com)

